



MILITARY VEHICLE

fiche1
B1

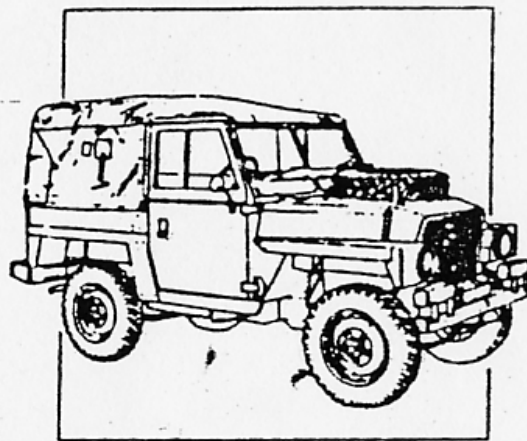
INTRODUCTION PAGES

SERIES III

88" - 1/2 ton MILITARY VEHICLE
(Air Portable - Lightweight)
12 and 24 volt

Part No. RTC9968FA

June 1993



Whilst every effort is made to ensure the accuracy of the particulars contained in this Catalogue, modifications and vehicle specification changes may affect the information specified. No responsibility is accepted for the incorrect supply of parts or any other consequence that may arise as a result of information in this Catalogue not being in accord with modifications or vehicle specification changes which are subsequent to the date of this catalogue. Also no responsibility is accepted for the incorrect supply of parts or any other consequence that may arise as a result of any misinterpretation of the information specified in this Catalogue.

© LAND ROVER UK LTD 1993

All rights reserved. No part of this publication may be reproduced, stored in a retrieval system or transmitted, in any form, electronic, mechanical, photocopying, recording or other means without prior written permission from Land Rover Parts Ltd.

PARTS CATALOGUE



LAND ROVER
PARTS LTD



MILITARY VEHICLE

fiche1
B2

INTRODUCTION PAGES

GENERAL EXPLANATION OF PARTS CATALOGUE

This Parts Catalogue identifies all parts applicable to SERIES III 1/2 ton 12V and 24V models and must be used in conjunction with the SERIES III Parts Catalogue/fiche (NYC0041 & NYC0042) to identify all other parts.



MILITARY VEHICLE

fiche1
B3

ALPHABETICAL INDEX

A

Air cleaner support 2C3
 Alt/fan belt pair 1D4
 Alternator belt pair 1D4
 Alternator mountings 24volt 1D3
 Alternator 24v/2 1D2
 Alternator/damper pulleys & belts 1D4
 Ammeter vehicle/radio 1C10
 Ammeters 24 volt (up to 1978) 1C10
 Antiburst lock lh 2C14
 Antiburst lock rh 2C15
 Arm mirror head 2D7
 Axle - front 1G3
 Axle - rear 1G6
 Axle assembly rear 1G6
 Axle Assy front lh stg 1G3
 Axle Assy front rh stg 1G3
 Axle case - front 1G4
 Axle case - rear 1G7
 Axle case front 1G4
 Axle case rear 1G7

B

Backrest seat rear 2E3
 Barrel and 2 keys 1O4
 Batteries vehicle 24volt 1N6
 Battery box 1N7
 Battery box 1N6
 Battery box (sept 79 onwards) 24v 1N6
 Battery box (up to sept 79) 24vol 1N7
 Battery clamp 1N6
 Battery clamping frame 1N7
 Battery cover 1N7
 Battery cover 1N6
 Battery dry charged 1N6
 Bell crank and control rod 1I3
 Belt seat centre lap 2E4
 Belt seat inertia lh 2E4
 Belt seat inertia rh 2E4
 Belt seat static lh 2E4
 Belt seat static rh 2E4
 Body rear lower 2D2 - D3
 Body rear upper 2D4
 Body rear upper assembly lh 2D6

Body rear upper assembly rh 2D6
 Bonding leads 24 volt 1N15
 Bonnet 2C11
 Bonnet - spare wheel fixings 2D6
 Bonnet assembly 2C11
 Bonnet catch complete 2C10
 Box terminal/amp/horn 1N16
 Bracket mounting inertia 2E5
 Bracket striking plate lh 2D4
 Bracket striking plate rh 2D4
 Bracket tool support axle 2C18
 Breather 1E3
 Buffer axle front 2C2
 Buffer axle rear 2C2
 Buffer check strap 2C14
 Buffer check strap 2C15
 Bulb convoy lamp 1N5
 Bulb fog lamp 1N5
 Bulb for flasher lamp 1N4
 Bulb for flasher lamp 1N4
 Bulb for sidelamp 1N4
 Bulb for stop/tail lamp 1N4
 Bulb hazard warning 1N18
 Bulb hazard warning 1N18
 Bulb headlamp 1N2
 Bulb headlamp 1N3
 Bulb instruments 1N18
 Bulb number plate lamp 1N4
 Bulb warning lights 1N18
 Bumper and bumperettes 2C4
 Bumper front 2C4
 Bumperette front 2C4
 Bumperette rear 2C4

C

Cable a amator to 1N16
 Cable generator panel to 1N16
 Cable shunt box to 1N16
 Cable shunt box to 1N16
 Cable speedometer 1O6
 Cable terminal box to 1N16
 Cap & stud assembly 1G5
 Cap & stud assembly 1G6
 Carburettor elbow 1C13
 Casing 1E3
 Chain lower tailboard 2C17

Chain tailboard upper 2C16
 Charging system 24 volt (from 197 1N16
 Chassis frame 2C2
 Chassis frame 2C2
 Check strap mtg bracket 2C15
 Clamp assembly windscreen 2C13
 Clamping bolt belt cover 1N7
 Cold start con. of 1N18
 Column mounting 1H3
 Column shroud 1H2
 Condenser high temp 1C16
 Contact set 1C16
 Convoy lamp 1N5
 Corner protection angle 2D5
 Cotter and chain complete 2D3
 Cover Assy strg box lh 2C12
 Cover Assy strg box rh 2C12
 Cover front 1C6
 Cover side 1C3
 Cover wiper motor 2C8
 Crankcase emission control 1C13 - C14
 Crankshaft pulley 1C4
 Cross shaft 1I2
 Crossmember no.4 2C2
 Cushion seat front 2E2
 Cushion seat rear 2E3
 Cylinder head 1C11

D

Dash 2C7 - C8
 Dash assembly 2C7
 Dash tie bar 2C7
 Dash ventilator control 2C8
 Distributor (early type) 24volt 1C16
 Distributor (latest type) 24volt 1C17
 Door front lh 2C14
 Door front rh 2C15
 Door hinge 2C14
 Door hinge 2C15
 Door hinge pin lower lh 2C7
 Door hinge pin lower rh 2C8
 Door hinge pin upper lh 2C7
 Door hinge pin upper rh 2C8

E

Emission control valve 1C13
 Engine assembly 12 & 24 volt 1C2
 Engine breather filter 1C13
 Exhaust system 1L2
 Extension Assy wing lh 2C12
 Extension Assy wing rh 2C12

F

Fan belt 1C7
 Fan blade assembly 1C7
 Fan pulley 1C7
 Far/all belts (paired) 1C7
 Filter unit 1C18
 Fixed window 2C16
 Flame trap 1C13
 Floor and sill panels front 2C5
 Flyscreen dash vent inner 2C6
 Flyscreen dash vent outer 2C6
 Flyscreen dash vent outer 2C6
 Fog lamp rear guard 1N5
 Frame seat rear 2E3
 Front door assembly lh 2C14
 Front door assembly rh 2C15
 Front flasher lamp 1N4
 Front floor plate lh 2C5
 Front floor plate rh 2C5
 Front spring drivers side 1G9
 Front spring passeng side 1G9
 Fuel gauge 1O6
 Fuel tank complete 1K2
 Fuel tank gauge unit 1K2

G

Gasket cylinder head 1C11
 Gauge fuel 12 volt 1O7
 Gauge fuel 24 volt 1O7
 Gauge oil temperature 1O7
 Gauge water temperature 1O7
 Gearbox 1E2
 Gearbox cover 2C5
 Gearbox oil filling 2C5



LAND ROVER
PARTS LTD



G - Continued

Generator panel	1N13
Generator panel 24volt	1N13
Glass windscreen	2C13
Grille mesh	2C10
Grouped instrument panel	1O7
Grouped instrument panel	1O7
Grouped instrument panel	1O8
Grouped instrument panel	1O8
Gusset bracket	2D3

H

Hand throttle	1H4
Hand throttle control rod	1H4
Harness - chassis	1N11
Harness - engine	1N12
Harness - main - lh sig	1N10
Harness - main - rh sig	1N9
Harness chassis	1N11
Harness engine	1N12
Harness main lh sig	1N10
Harness main rh sig	1N9
Harness 6-way switch	1O3
Headlamp assembly	1N2
Headlamp assy less bulb	1N3
Headlamp side dip	1N3
Headlamp vertical dip	1N2
Heater	1M2
Heater recirculating	1M2
Hinge bonnet lh	2C11
Hinge bonnet rh	2C11
Hood	2D9
Hood	2D9
Horn	1O6
Horn 24volt	1O6
Hub driving member	1G5
Hub driving member	1G8

I

Idler assembly 24volt	1C8
Ignition coil and filter 24volt	1C18
Inertia	2E5
Inhibitor for infra	1O3
Instrument panel grouped (from 1	1O8
Instrument panel grouped (up to	1O7
Insulation battery cover	1N7

K

Keeper plate terminal box	1N18
Kit master cylinder	1J2
Kit servo unit overhaul	1J2

L

Lamps front and rear	1N4 - NS
Land rover name plate	2C10
Land rover name plate	2D5
Lens brake warning light	1O2
Lens for fr flasher lamp	1N4
Lens for sidelamp	1N4
Lens for stop/tail lamp	1N4
Lens front flasher lamp	1N4
Lens ignition warning	1N18
Lens indicator warning	1N18
Lens rear fog warning	1O2
Lens trailer lnd warning	1N18
Lid seat base centre	2C9
Lid seat base outer	2C9
Lifting & towing rings	2G2
Lifting and towing rings	2G2
Light unit	1N2
Lock set antiburst	2C14
Lock set antiburst	2C15
Lrop seat belt	2E5
Lower tailboard assembly	2C17
Lug tailboard chain	2C17
Lug tailboard chain	2C18

M

Main body - carburettor	1C15
Master cylinder	1J2
Master cylinder, servo & shuttle	1J2
Mirror complete wing	2D7
Mirror head	2D7
Mirrors	2D7
Motor wiper less shaft	1O11
Mudshield front wing lh	2C12
Mudshield front wing rh	2C12

N

Nato socket	2G3
Nato socket c/w leads	2G3

O

O ring-cap & stud to	1G8
O ring-cap and stud to	1G5
Oil filter cap	1C8
Oil filler cap	1E3
Oil filter pipe	1C8
Oil filter	1C10
Oil pump	1C9
Oil temperature gauge	1O8
Output shaft	1E4

P

Panel main switch	1N18
Panel 6-way switch	1O3
Pipe breather remote	1G3
Pipe exhaust front	1L2
Pipe exhaust intermediate	1L2
Pipe remote breather	1G6
Plate protection lh	2C2
Plate protection rh	2C2
Plate spring bottom	1G10
Plate spring bottom	1G10
Plate spring bottom	1G14

Plate spring bottom	1G14
Plug for transfer box	1F2
Plug sparking	1C15
Prop bonnet	2C11
Propshaft - rear	1G2
Propshaft rear	1G2
Protection cap nato skt	2G3
Pulley alternator	1D4
Pulley crankshaft	1C4
Pulley damper	1D4
Pulley idler assembly	1C8

R

Radiator grille and bonnet catch	2C10
Radiator grille complete	2C10
Rail seat br	2E5
Rear body lower assembly	2D2
Rear body upper assy lh	2D6
Rear body upper assy rh	2D5
Rear lamp prot plate rh	2D2
Rear spring drivers side	1G13
Rear spring passeng side	1G13
Red reflector	1N4
Registration plate	2C17
Relay - auxiliary	1O5
Relay - hazard warning	1O5
Relay - horn	1O5
Relay - infra red	1O5
Relay fra - brake check	1O5
Relay fra - rear fog	1O5
Relays	1O5
Rod check strap	2C14
Rod check strap	2C15
Rod control relay to	1I3
Rod tie engine	2C2
Rope hook	2D5
Rope hook	2D6
Rotor arm	1C16
Rr flasher lamp less bulb	1N4
Rr number plate lamp c/w	1N4



S

Seal retainer vent panel 2C6
 Sealing rubber door 2C16
 Sealing rubber door 2D4
 Sealing rubber upper body 2D5
 Sealing rubber upper body 2D6
 Seat base 2C9
 Seat base assembly 2C9
 Seat front(charcoal) 2E2
 Seat rear (charcoal) 2E3
 Servo unit 1J2
 Shaft & gear wiper motor 1O11
 Shaft & hub driving member - front 1G5
 Shaft & hub driving member - rear 1G8
 Shaft and joint complete 1G5
 Shaft and joint complete 1G5
 Shaft axle rear lh 1G8
 Shaft axle rear rh 1G8
 Shaft cross accelerator 1I2
 Shaft half lh inner 1G5
 Shaft half rh inner 1G5
 Shaft stub outer 1G5
 Shim body mounting 2D2
 Shim chassis body bracket 2D3
 Shim striker plate 2D4
 Shock absorber front 1G12
 Shock absorber rear 1G12
 Shock absorbers 1G12
 Shunt box assembly 1N14
 Shunt box assembly (r/w) 1N14
 Shunt box 24volt 1N14
 Sidelamp less bulb 1N4
 Sidecreen assembly lh 2C16
 Sidecreen assembly rh 2C16
 Sidecreens 2C16
 Silencer complete 1L2
 Silencer complete 1L2
 Sill panel lh 2C5
 Sill panel rh 2C5
 Sliding window 2C16
 Socket inspection lamp 1N18
 Socket inspection lamp 1N18
 Speedometer 1O9
 Speedometer kph 1O9
 Speedometer mph 1O9
 Spring u bolts & bottom plates fr 1G10 - G11

Spring u bolts & bottom plates re 1G14
 Springs road front 1G9
 Springs road rear 1G13
 Squab seat front 2E2
 Staple for hood strap 2D5
 Staple for hood strap 2D6
 Staple ret spare wheel 2D6
 Starter motor 24volt 1D5 - D6
 Starter solenoid 24volt 1D7
 Starting dog & guide 1C4
 Starting handle 2F3
 Starting handle 2F3
 Static (up to June 81) 2E4
 Stop/tail lamp less bulb 1N4
 Strap check rebound 2C2
 Strap ret spare wheel 2D6
 Striker 2C11
 Striking plate dr lock lh 2D4
 Striking plate dr lock rh 2D4
 Sump 1C5
 Support air cleaner 2C3
 Support block spare wheel 2D6
 Suppression box 1O11
 Switch brake warning 1N18
 Switch brake warning 1N18
 Switch cold start control 1O2
 Switch hazard warning 1N18
 Switch headlamp dip/ 1N17
 Switch headlamp dip/indicator & h 1N17
 Switch heater 2 position 1N18
 Switch ignition starter 1O4
 Switch intra red 1O3
 Switch panel light 1N18
 Switch panel main 1N18 - O2
 Switch rear fog lamp 1O2
 Switch starter 1O4
 Switch starter solenoid 1D7
 Switch windscreen wiper/ 1O3
 Switch 6-way lighting 1O3
 Switch 6 way lighting 1O3

T

T bolt battery clamping 1N7
 Tailboard buffer 2D5
 Tailboard buffer 2D6
 Tailboard chain bracket 2D3

Tailboard lower 2C17
 Tailboard upper 2C18
 Tailboard upper assembly 2C18
 Tanks and fittings 1K2
 Thermostat & housing 1C12
 Timing pointer 1C6
 Toolbox 2F2
 Toolbox assembly 2F2
 Top capping assy lh 2D6
 Top capping assy rh 2D5
 Towing hook and lifting rings 2G2
 Towing hook complete 2G2
 Transfer casing 1F2
 Tread plate rear floor 2D2
 Trip reset cable 1O9

U

U bolt front plate 1G10
 U bolt plate rear 1G14

V

Valve shuttle 1J2
 Ventilator and lid lh 2C6
 Ventilator and lid rh 2C6
 Ventilator panel assembly 2C6
 Ventilators and flyscreens 2C6

W

Water container 1O12
 Water pump and fan 1C7
 Water temperature gauge 1O8
 Windscreen 2C13
 Windscreen complete assy 2C13
 Windscreen washer pump 1O12
 Windscreen washers 1O12
 Windscreen wiper motor 1O11
 Wing front assembly lh 2C12
 Wing front assembly rh 2C12
 Wings 2C12



MILITARY VEHICLE

fiche1
C1

ENGINE

MASTER INDEX

	PAGES
INTRODUCTION AND ALPHABETICAL INDEX	1 ROW B
ENGINE	1 ROW C - D
GEARBOX	1 ROW E
TRANSFER BOX	1 ROW F
AXLES AND SUSPENSION	1 ROW G
STEERING	1 ROW H
VEHICLE AND ENGINE CONTROLS	1 ROW I
BRAKES	1 ROW J
FUEL SYSTEM AND AIR CLEANER	1 ROW K
EXHAUST SYSTEM	1 ROW L
COOLING/HEATING	1 ROW M
BODY ELECTRICAL	1 ROW N - O
INTRODUCTION AND ALPHABETICAL INDEX	2 ROW B
BODY AND CHASSIS	2 ROW C - D
SEATS	2 ROW E
STOWAGE	2 ROW F
MISCELLANEOUS - PAINTS ETC	2 ROW G
NUMERICAL INDEX	2 ROW H
NEW PARTS TO FICHE	2 ROW H

GROUP B

ENGINE

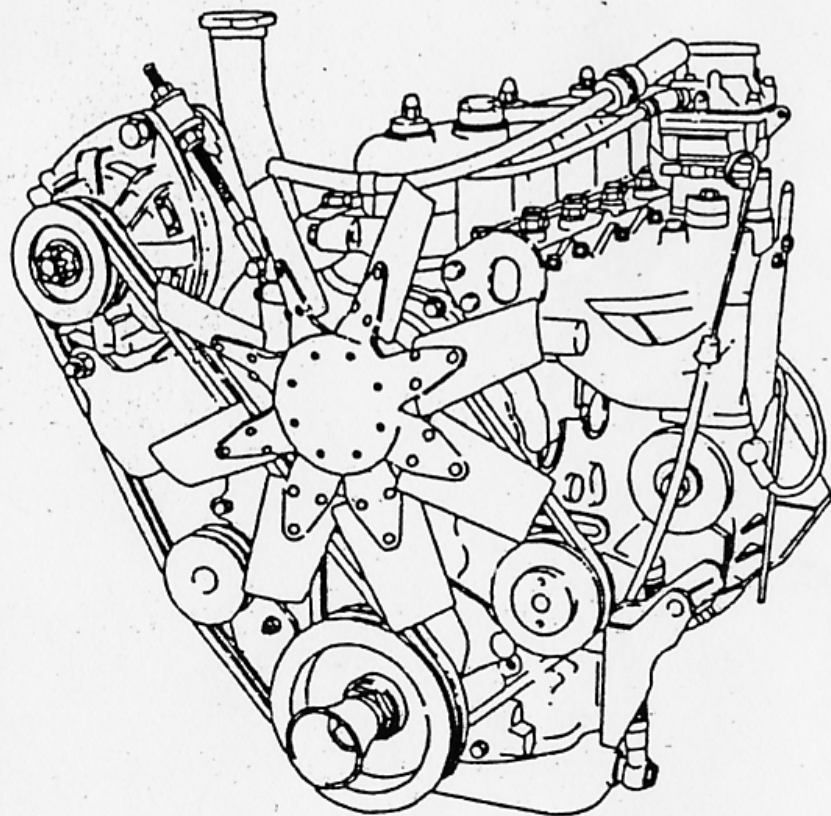
ENGINE	
ENGINE ASSEMBLY 12 & 24 VOLT	1 C2
COVER SIDE	1 C3
CRANKSHAFT PULLEY	1 C4
SUMP	1 C5
COVER FRONT	1 C6
WATER PUMP AND FAN	1 C7
IDLER ASSEMBLY 24VOLT	1 C8
OIL PUMP	1 C9
OIL FILTER	1 C10
CYLINDER HEAD	1 C11
THERMOSTAT & HOUSING	1 C12
CRANKCASE EMISSION CONTROL	1 C13 - C14
MAIN BODY - CARBURETTER	1 C15
DISTRIBUTOR (EARLY TYPE) 24VOLT	1 C16
DISTRIBUTOR (LATEST TYPE) 24VOLT	1 C17
IGNITION COIL AND FILTER 24VOLT	1 C18
ALTERNATOR 24VOLT	1 D2
ALTERNATOR MOUNTINGS 24VOLT	1 D3
ALTERNATOR/DAMPER PULLEYS & BELTS	1 D4
STARTER MOTOR 24VOLT	1 D5 - D6
STARTER SOLLENOID 24VOLT	1 D7



**LAND ROVER
PARTS LTD**

Model MILITARY VEHICLE
Page YWBAAA1A

ENGINE - ENGINE ASSEMBLY 12 & 24 VOLT



RL Part No.	Description	Qty	Remarks
1 RTC2746N	Engine & clutch assembly	1	Note(1)
1 RTC2747N	Engine & clutch assembly	1	Note(2)

Note(1)
Note(2)

Applicable to 24 volt 2.1/4 litre petrol 5 bearing crankshaft military engine
Applicable to 12 volt 2.1/4 litre petrol 5 bearing crankshaft military engine
no longer available, can be replaced by civilian engine part number
ERC6673N.



MILITARY VEHICLE

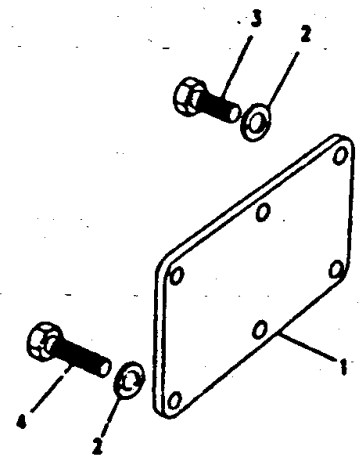
fiche1
C3

ENGINE

Model MILITARY VEHICLE
Page YWBABC1A

ENGINE - COVER SIDE

ML Part No.	Description	Qty	Remarks
1 541010	Cover side front	1	
2 WM800051L	Washer spring	6)Side cover
3 SH605071L	Bolt 5/16"unf x 7/8	4)to cylinder
4 SH605101L	Bolt 5/16"unf x 1.1/4	2)block





MILITARY VEHICLE

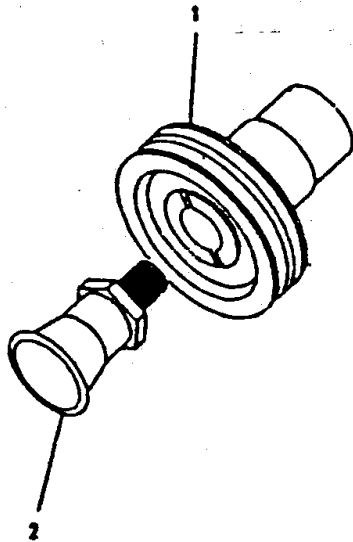
fiche1
C4

ENGINE

Model MILITARY VEHICLE
Page YWBACA1A

ENGINE - CRANKSHAFT PULLEY

Ill. Part No.	Description	Qty	Remarks
1 ERC5351	Pulley crankshaft	1	24Volt
ERC5348	Pulley crankshaft	1	12Volt
2 ERC7598	Starting dog & guide	1	3 Brg engine
ERC7680	Starting dog & guide	1	5 Brg engine





MILITARY VEHICLE

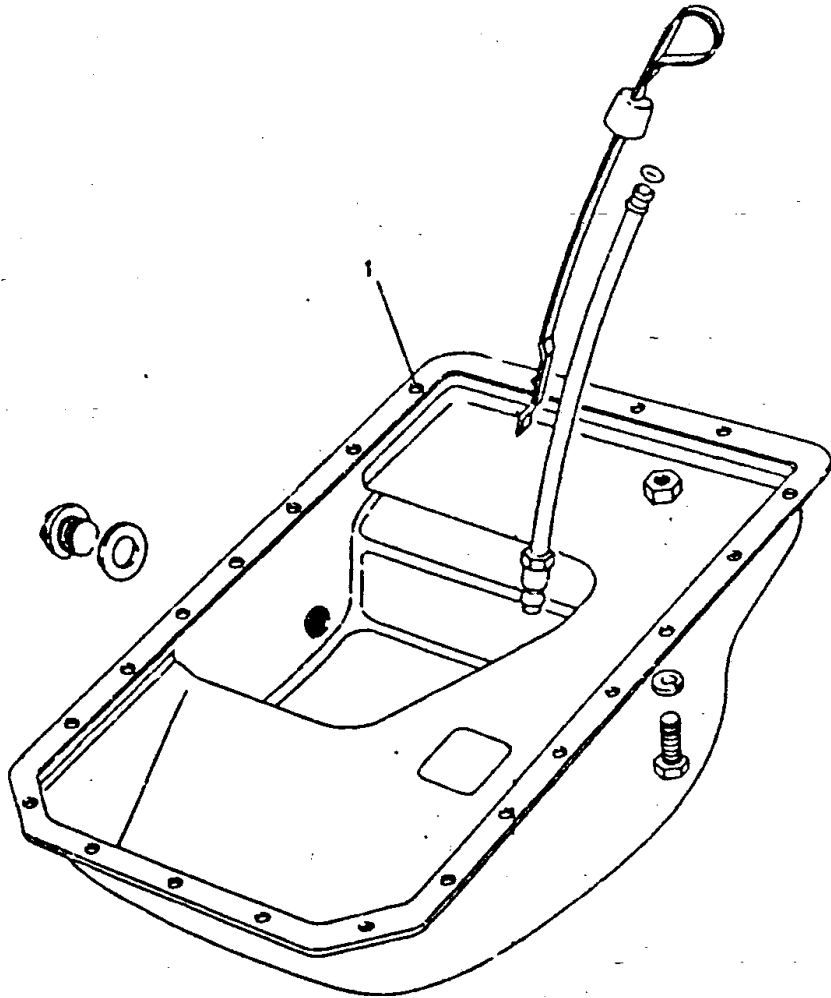
fiche1
C5

ENGINE

Model MILITARY VEHICLE
Page YWBADA1A

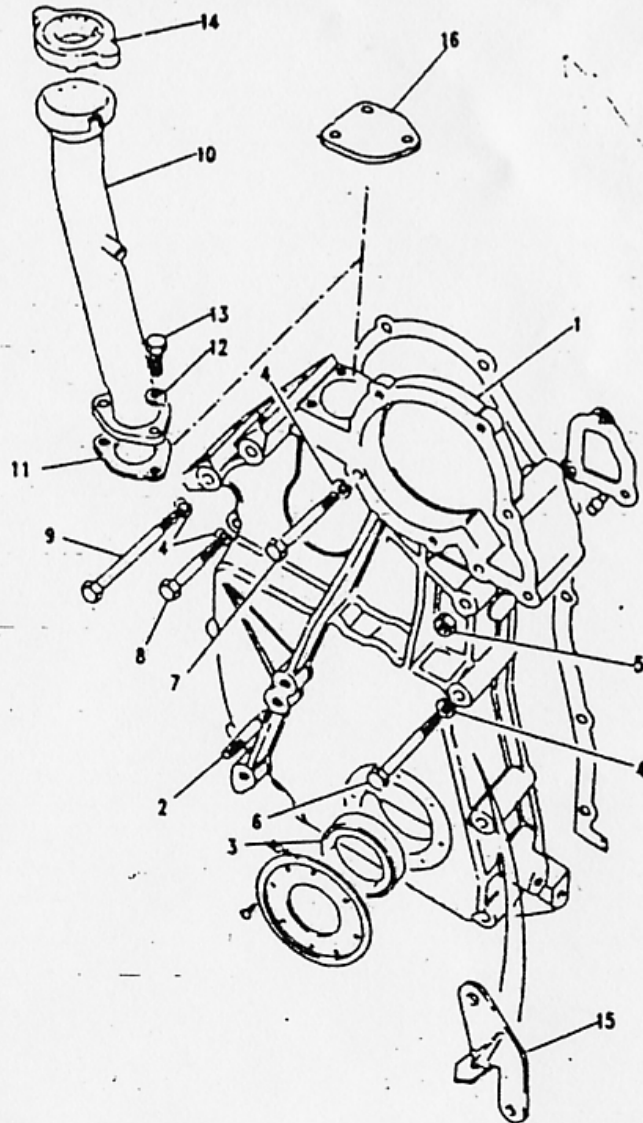
ENGINE - SUMP

Ill. Part No.	Description	Qty	Remarks
1 598331	Sump	1	



Model MILITARY VEHICLE
Page YWBAEA1A

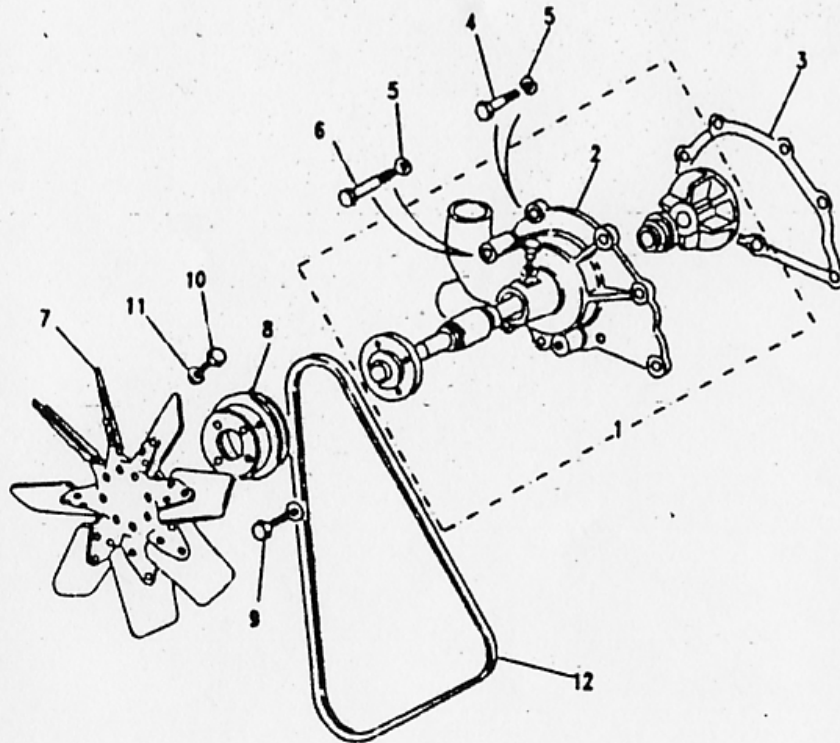
ENGINE - COVER FRONT



Qt.	Part No.	Description	Qty	Remarks
1	ERC2947	Cover front assembly	1	24Volt
	ERC819	Cover front assembly	1	12Volt
2	TE505105L	Stud	1	
3	90516028	Oil seal	1	
4	WM600051L	Washer spring	14)
5	NH605041L	Nut 5/16"unf	2)
6	BH605261L	Bolt 5/16"unf x 3.1/4"	1)Front Cover
7	BH605241L	Bolt 5/16"unf x 3"	5)to block
8	BH605161L	Bolt 5/16"unf x 2"	1)
9	BX605281	Bolt 5/16"unf x 3.1/2"	2)
10	596820	Oil filter pipe	1	
11	542636	Washer joint	1)Oil filter
12	WM600041L	Washer spring	3)pipe to
13	SH504061L	Set bolt 1/4"unc x 3/4"	3)front cover
14	598231	Oil filter cap	1	
15	ERC5352	Timing pointer	1	
16	574469	Blanking plate	1	From Jan 83

Model MILITARY VEHICLE
Page YWBAEE1A

ENGINE - WATER PUMP AND FAN



Ill. Part No.	Description	Qty	Remarks
1	RTC8327	1	24 volt
	549735	1	12 volt
	RTC8328	1	Note(1)
2	538893	1	Casing water pump
3	542218	1	Washer joint
4	BH504101L	3	Water pump to front cover
5	WM600041L	3	Washer spring
6	BH605261L	4	Bolt 5/16"unf x 3.1/4"
7	541008	1	Fan blade assembly
8	542686	1	24 volt Fan pulley
	530304	1	12 volt Fan pulley
	545700	1	Hub fan pulley
9	BH604101L	4	Fan pulley to hub
10	255206	4	Fan to pulley
11	WM600041L	4	Washer spring
12	535688	1	24Volt Fan belt
	563132	2	12Volt Fan/Alt belts (paired)

Note(1)

Basic 12 volt water pump fitted to 12 volt vehicles from engine number 95106357A



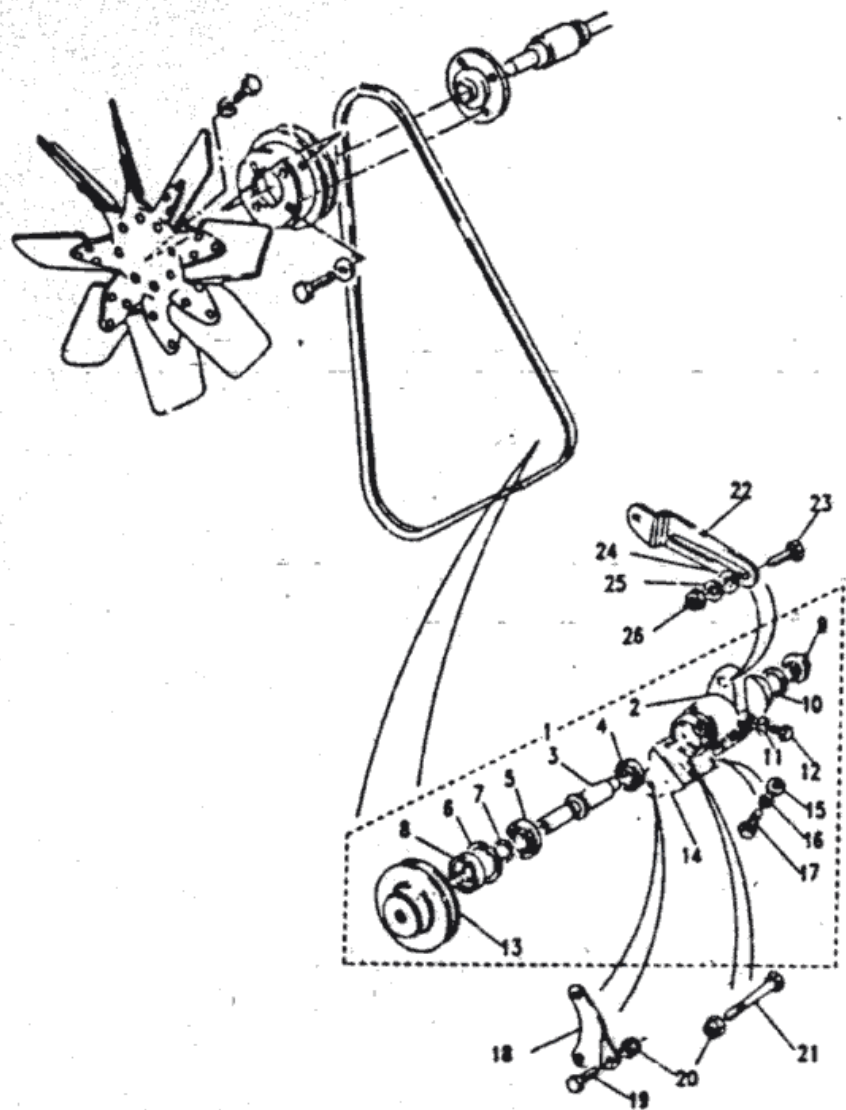
MILITARY VEHICLE

fiche1
C8

ENGINE

Model MILITARY VEHICLE
Page YWBAEG1A

ENGINE - IDLER ASSEMBLY 24VOLT



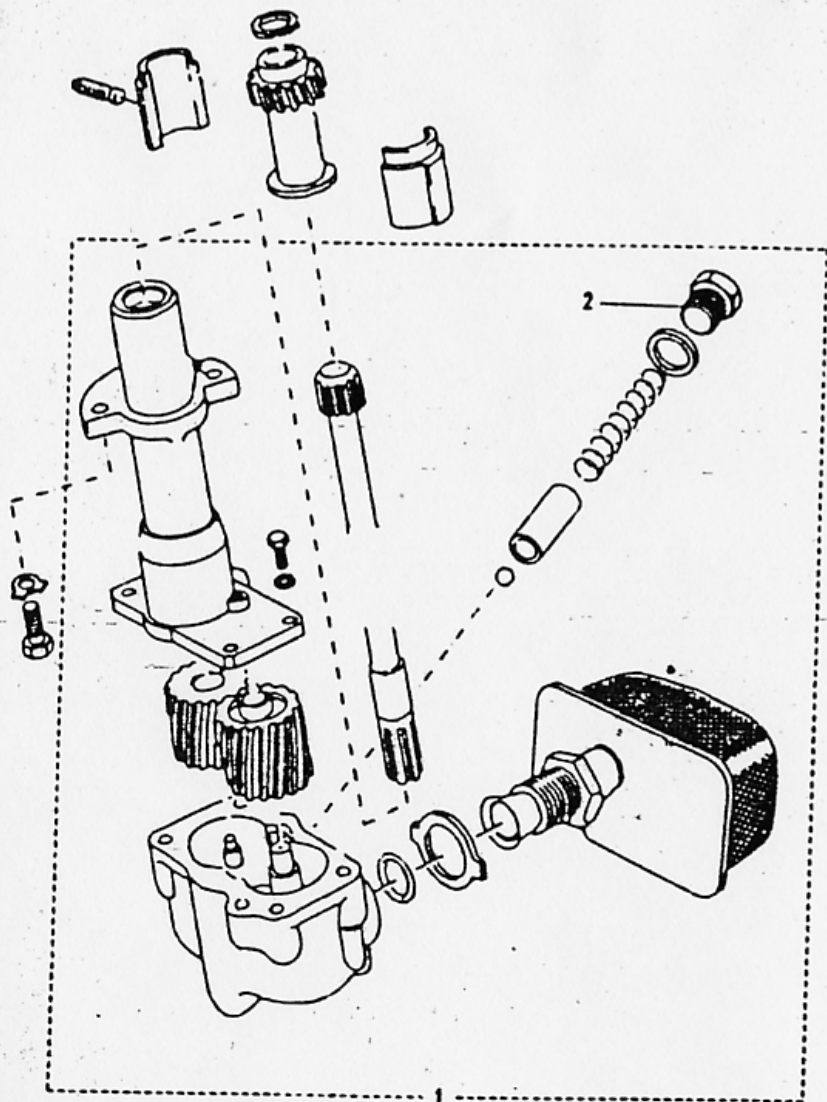
Ill. Part No.	Description	Qty	Remarks
1 549700	Pulley idler assembly	1	
2 541753	Body idler wheel	1	
3 532063	Spindle	1	
4 500388	Bearing inner	1	
5 529221	Bearing outer	1	
6 529215	Circlip	1	
7 519241	Circlip	1	
8 529223	Oil seal	1	
9 RTC6851	Plug	1	
10 243960	Washer joint	1	
11 232038	Washer joint	1	
12 255021	Set bolt 5/16"unf x 3/8"	1	NLA
13 549701	Pulley	1	
14 531724	Bracket	1	
15 3830L	Washer plain	4	
16 WM600051L	Washer spring	4	
17 SH605061L	Set bolt 5/16"unf x 3/4"	4	
18 278000	Bracket	1	
19 SH605081L	Bolt 5/16"unf x 1"	1	
20 NY605041L	Nyloc nut 5/16"unf	2	
21 BX805281	Bolt 5/16"unf x 3.1/2"	1	
22 90519215	Adjusting link	1	
23 SH605101L	Bolt 5/16"unf x 1.1/8"	1	
24 2266L	Washer plain	1	
25 WM600051L	Washer spring	1	
26 NH605041L	Nut 5/16"unf	1	

Model MILITARY VEHICLE

Page YWBAFA1A

ENGINE - OIL PUMP

NI. Part No.	Description	Qty	Remarks
1 ERR1117	Oil pump assembly	1	
2 564455	Plug retaining oil relief valve	1	





MILITARY VEHICLE

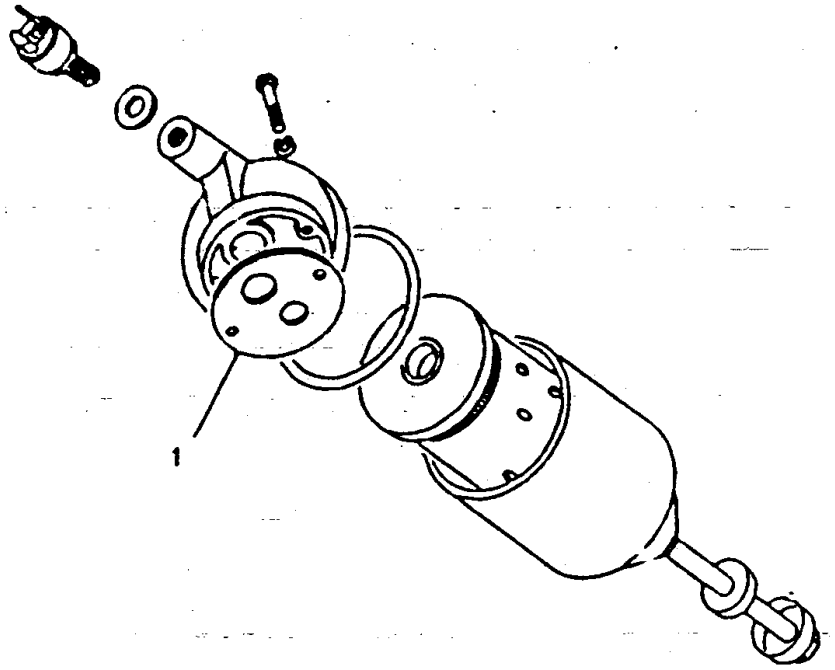
fiche1
C10

ENGINE

Model MILITARY VEHICLE
Page YWBAFC1A

ENGINE - OIL FILTER

Ill. Part No.	Description	Qty	Remarks
1 ETC5276	Washer joint	2	





MILITARY VEHICLE

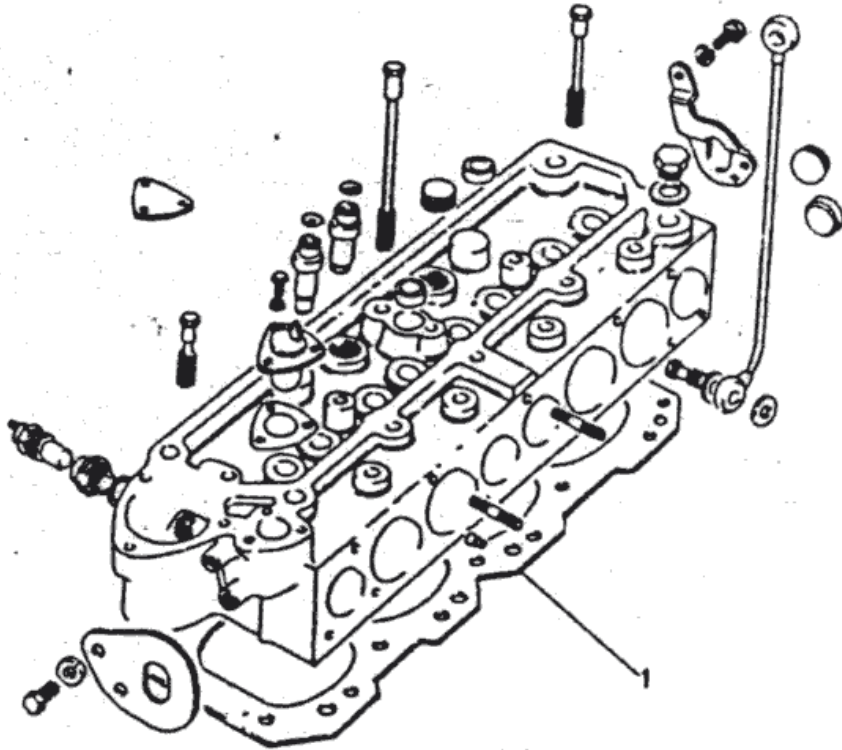
fiche1
C11

ENGINE

Model MILITARY VEHICLE
Page YWBAGA1A

ENGINE - CYLINDER HEAD

M. Part No.	Description	Qty	Remarks
1 ERC6380	Gasket cylinder head	1	





MILITARY VEHICLE

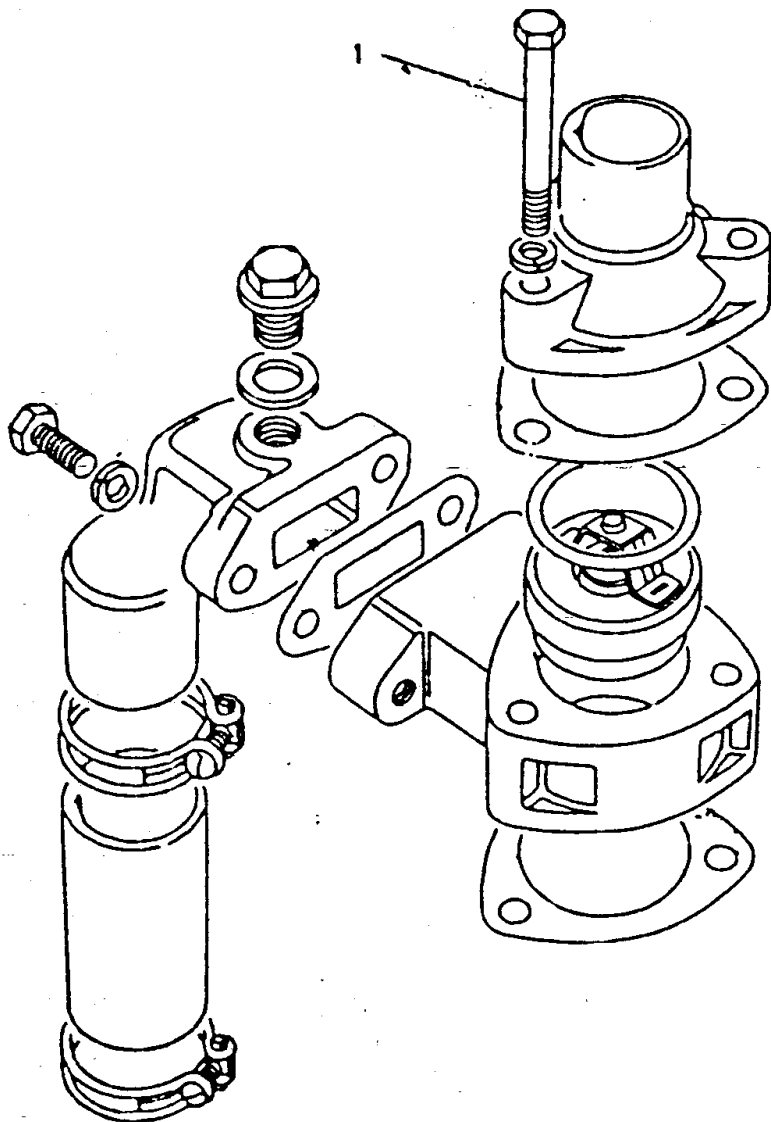
fiche1
C12

ENGINE

Model MILITARY VEHICLE
Page YWBAGK1A

ENGINE - THERMOSTAT & HOUSING

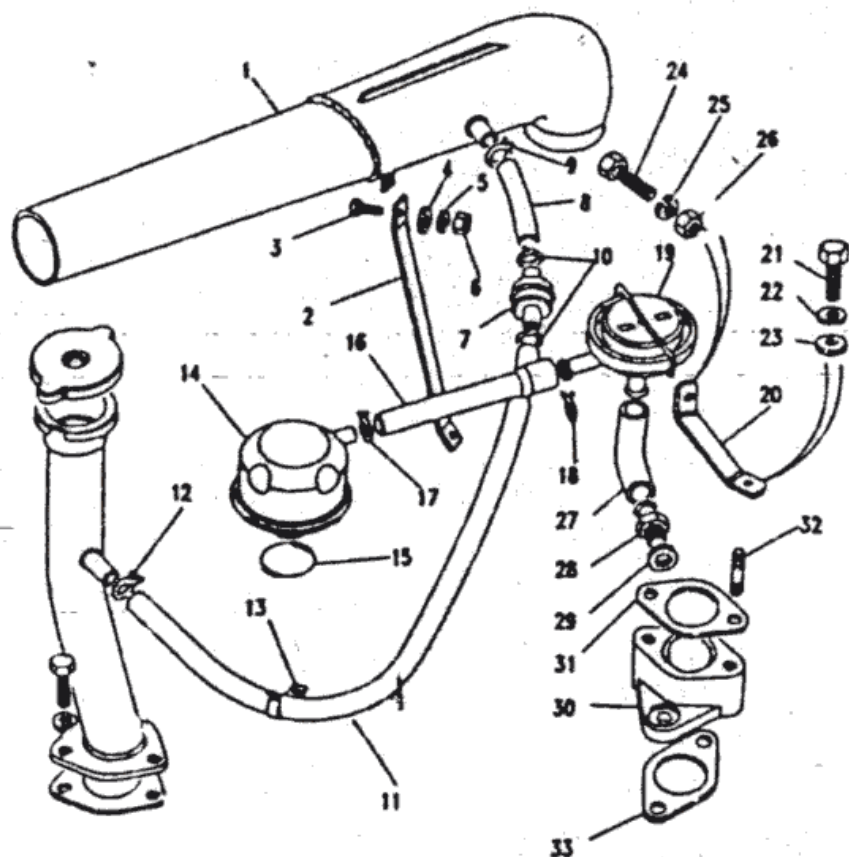
M. Part No.	Description	Qty	Remarks
1 BH604201L	Bolt, water outlet pipe to cylinder head	3	



Model MILITARY VEHICLE

Page YWBAHE1A

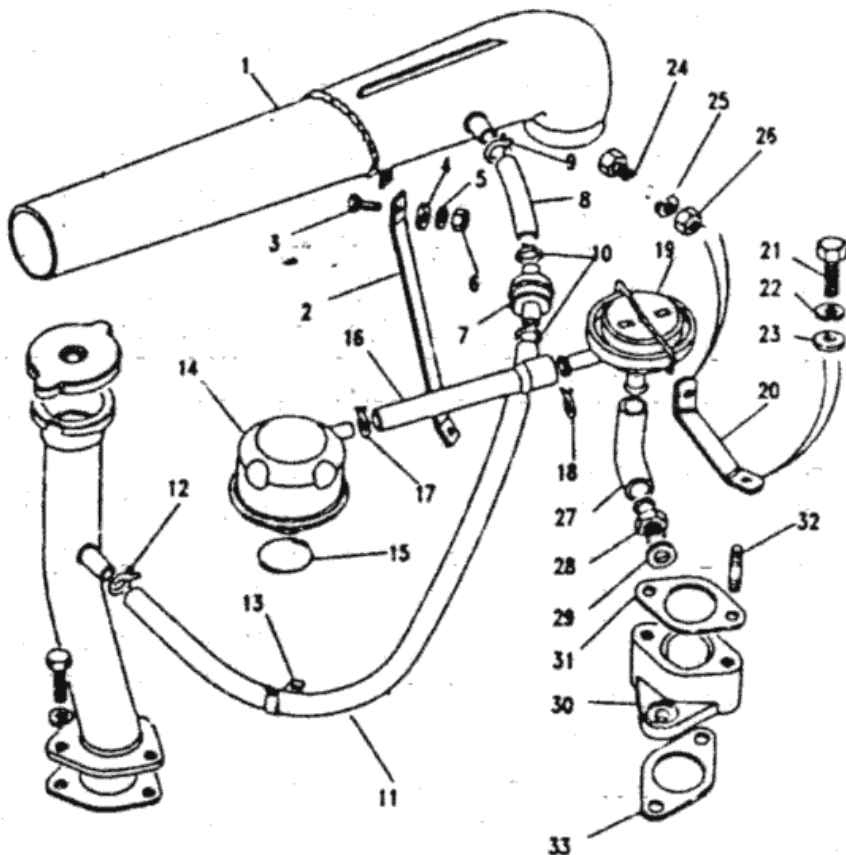
ENGINE - CRANKCASE EMISSION CONTROL



Ill. Part No.	Description	Qty	Remarks
1 596159	Carburettor elbow	1	
2 554422	Support strip	1	NLA
3 255206	Bolt 1/4"unf x 5/8"long	1)Fixing
4 RTC609	Washer plain	1)Carburettor
5 WM600041L	Washer spring	1)elbow to
6 NH604041L	Nut 1/4"unf	1)support strip
7 603330	Flame trap	1	
8 567120	Hose carburettor elbow to flame trap	1	
9 CS600204	Clip hose to elbow	1	
10 572548	Clip hoses to flame trap	2	
11 596821	Hose flame trap to oil filler pipe	1	
12 CS600204	Clip hose to oil filler pipe	1	
13 596142	Clip hose to water outlet connection	1	
14 596203	Engine breather filter	1	
15 208887	O ring filter to rocker cover	1	
16 596153	Hose breather filter to control valve	1	
17 546210	Clip nose to engine breather filter	1	
18 554260	Clip nose to control valve	1	
19 RTC6855	Emission control valve	1	
20 574264	Support bracket for control valve	1	

Model MILITARY VEHICLE
Page YWBAHE1A

ENGINE - CRANKCASE EMISSION CONTROL

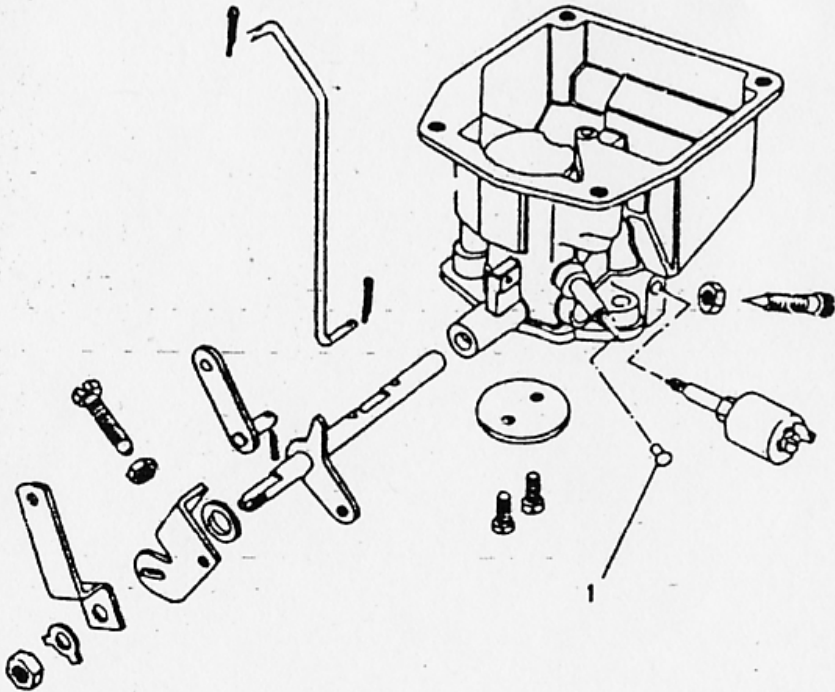


Ill. Part No.	Description	Qty	Remarks
21	SH504051L Bolt 1/4"unc x 5/8"long	1	
22	WM600041L Washer spring	1)Supportbrkt
23	RTC609 Washer plain	1)to inlet
24	SH604061L Bolt 1/4"unf x 3/4"long	1)manifold
25	WM600041L Washer spring	1)Control
26	NH604041L Nut 1/4"unf	1)valve to
27	574750 Hose control valve to manifold adaptor	1)bracket
28	548590 Adaptor for hose	1	
29	243958 Washer joint for adaptor	1	
30	STC541 Adaptor carburettor to manifold	1	
31	554163 Washer joint carburettor to adaptor	1	
32	252514 Stud fixing carburettor	2	
33	278163 Washer joint packing piece to inlet manifold	2	

Model MILITARY VEHICLE
Page YWBAIA1A

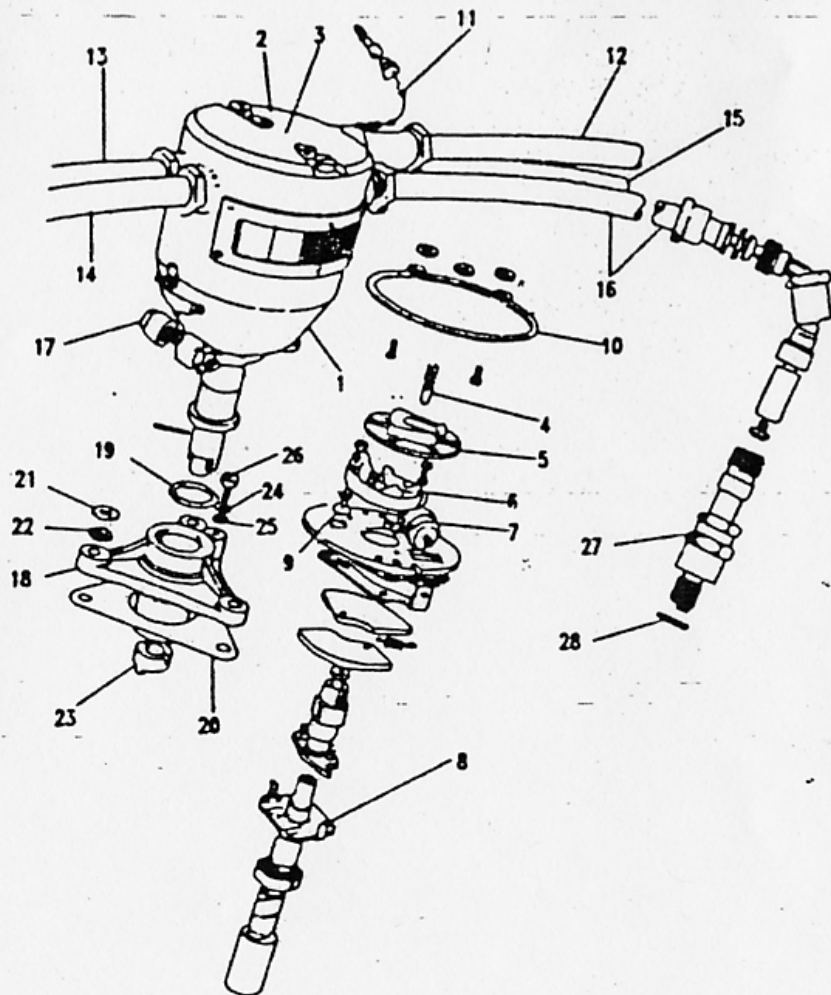
ENGINE - MAIN BODY - CARBURETTER

ML Part No.	Description	Qty	Remarks
1 566605	Plug suction hole in carburetter	1	NLA



Model MILITARY VEHICLE
Page YWBAPA1A

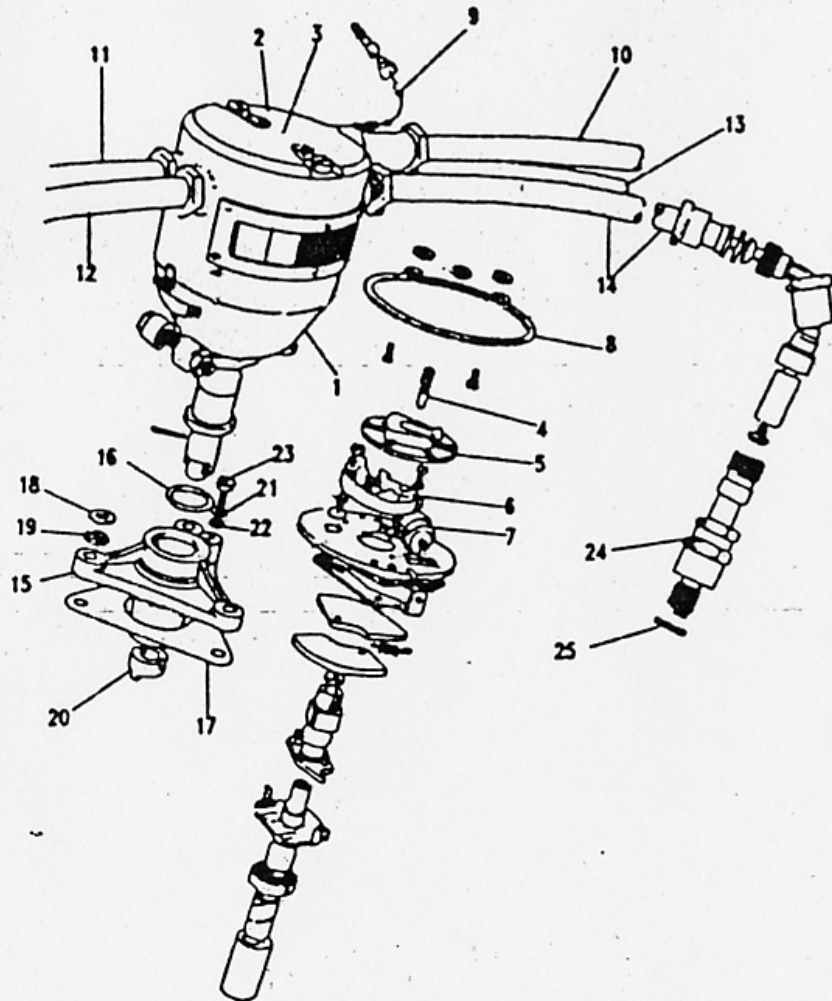
ENGINE - DISTRIBUTOR (EARLY TYPE) 24VOLT



Int. Part No.	Description	Qty	Remarks
1 526265	Distributor	1	Upto engine no: 95132888C 95201211C nil use ETC5960
2 605021	Cover metal outer	1	
3 90600725	Cover plastic inner	1	
4 600726	Brush and spring	1	
5 STC1132	Rotor arm	1	
6 RTC6622	Contact set	1	
7 600730	Condenser high temp	1	
8 600732	Shaft and action plate	1	
9 600737	Bush insulating cb base	1	
10 600743	Washer rubber sealing	1	Distributor cover
11 600745	Cable ht coil to distrib	1	
12 600746	Cable ht coil to distrib	1	
13 600747	Cable ht distributor to	1	No.1 plug
14 600748	Cable ht distributor to	1	No.2 plug
15 600749	Cable ht distributor to	1	No.3 plug
16 600750	Cable ht distributor to	1	No.4 plug
17 600756	Screw and nut assy clamp	1	
18 554898	Adaptor distributor	1	
19 278116	Seal oil distrib.housing	1	
20 541817	Washer joint aluminium	1	Dist.housing
21 RTC813	Washer plain	3	Adaptor to
22 90510912	Washer fan disc	3	block
23 549811	Shaft driving dist.top	1	Blade type
24 WB106041L	Washer plain	1	Distributor
25 WM600041L	Washer spring	1	to adaptor
26 2C3205	Screw 1/4"unc x 9/16"	1)
27 566713	Plug sparking	4	7:1 cr
RTC4732	Plug sparking	4	8:1 cr
28 40441	Washer copper&subwoes	4	14mm

Model MILITARY VEHICLE
Page YWBAPA2A

ENGINE - DISTRIBUTOR (LATEST TYPE) 24VOLT

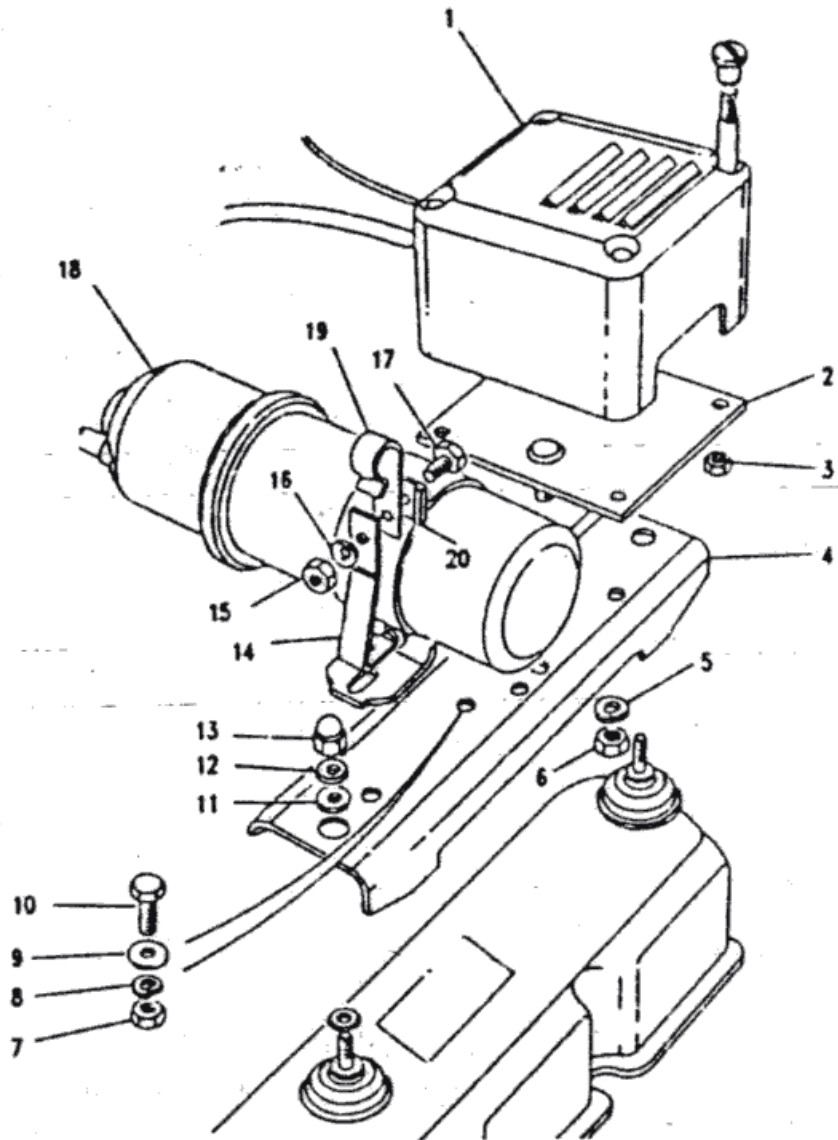


ML. Part No.	Description	Qty	Remarks
1 ETC5960	Distributor	1	
2 805021	Cover metal outer	1	
3 90600725	Cover plastic inner	1	
4 600726	Brush and spring	1	
5 STC1132	Rotor arm	1	
6 RTC6622	Contact set	1	
7 600730	Condenser high temp	1	
8 600743	Washer rubber sealing	1	Distributor cover
9 AEU1869	Cable ht coil to distrib	1	
10 AEU1864	Cable ht coil to distrib	1	
11 AEU1865	Cable ht distributor to	1	No.1 plug
12 AEU1866	Cable ht distributor to	1	No.2 plug
13 AEU1867	Cable ht distributor to	1	No.3 plug
14 AEU1868	Cable ht distributor to	1	No.4 plug
15 554898	Adaptor distributor	1	
16 278116	Seal oil distrib.housing	1	
17 541817	Washer jet aluminium	1	Dist.housing
18 RTC613	Washer plain	3)Adaptor to
19 90510912	Washer fan disc	3)block
20 549611	Shaft driving dist.top	1	Blade type
21 WB106041L	Washer plain	1)Distributor
22 WM600041L	Washer spring	1)to adaptor
23 253205	Screw 1/4"unc x 9/16"	1)
24 566713	Plug sparking	4	7:1 c/r
RTC4732	Plug sparking	4	8:1 c/r
25 40441	Washer copper&asbestos	4	14r.m

Model MILITARY VEHICLE
Page YWBAPA3A

ENGINE - IGNITION COIL AND FILTER 24VOLT

Ill. Part No.	Description	Qty	Remarks
1 552606	Filter unit	1	
2 589596	Baseplate for filter unit	1	
3 3819	Nut 1/4"bsf filter to baseplate	4	
4 568690	Baseplate for coil and filter unit	1	
5 WM102001L	Washer spring	2)Item 2 to
6 NM108011	Nut M8	2)item 4
7 NH605041L	Nut 5/16"unf	2)Support
8 WM600051L	Washer spring	2)racket and
9 WA108051L	Washer plain	1)coil to
10 SH605051L	Bolt 5/16"unf x 3/4"	2)baseplate
11 RTC613	Washer plain	2)baseplate to
12 273069	Washer sealing	4)rocker cover
13 247121	Dome nut	2)
14 532529	Clip support bracket	1	NLA
15 NH604041L	Nut 1/4"unf	1)Clip and
16 WM600041L	Washer spring	1)retaining
17 SH604041L	Bolt 1/4"unf x 1/2"	1)plate to clip
)support brt
18 552785	Ignition coil	1	
19 239600	Choke cable clip	1	
20 552531	Retaining plate-choke clip	1	NLA





MILITARY VEHICLE

fiche1
D1

ENGINE

MASTER INDEX

INTRODUCTION AND ALPHABETICAL INDEX	1	ROW B
ENGINE	1	ROW C - D
GEARBOX	1	ROW E
TRANSFER BOX	1	ROW F
AXLES AND SUSPENSION	1	ROW G
STEERING	1	ROW H
VEHICLE AND ENGINE CONTROLS	1	ROW I
BRAKES	1	ROW J
FUEL SYSTEM AND AIR CLEANER	1	ROW K
EXHAUST SYSTEM	1	ROW L
COOLING/HEATING	1	ROW M
BODY ELECTRICAL	1	ROW N - O
INTRODUCTION AND ALPHABETICAL INDEX	2	ROW B
BODY AND CHASSIS	2	ROW C - D
SEATS	2	ROW E
STOWAGE	2	ROW F
MISCELLANEOUS - PAINTS ETC	2	ROW G
NUMERICAL INDEX	2	ROW H
NEW PARTS TO FICHE	2	ROW H

GROUP 8

ENGINE

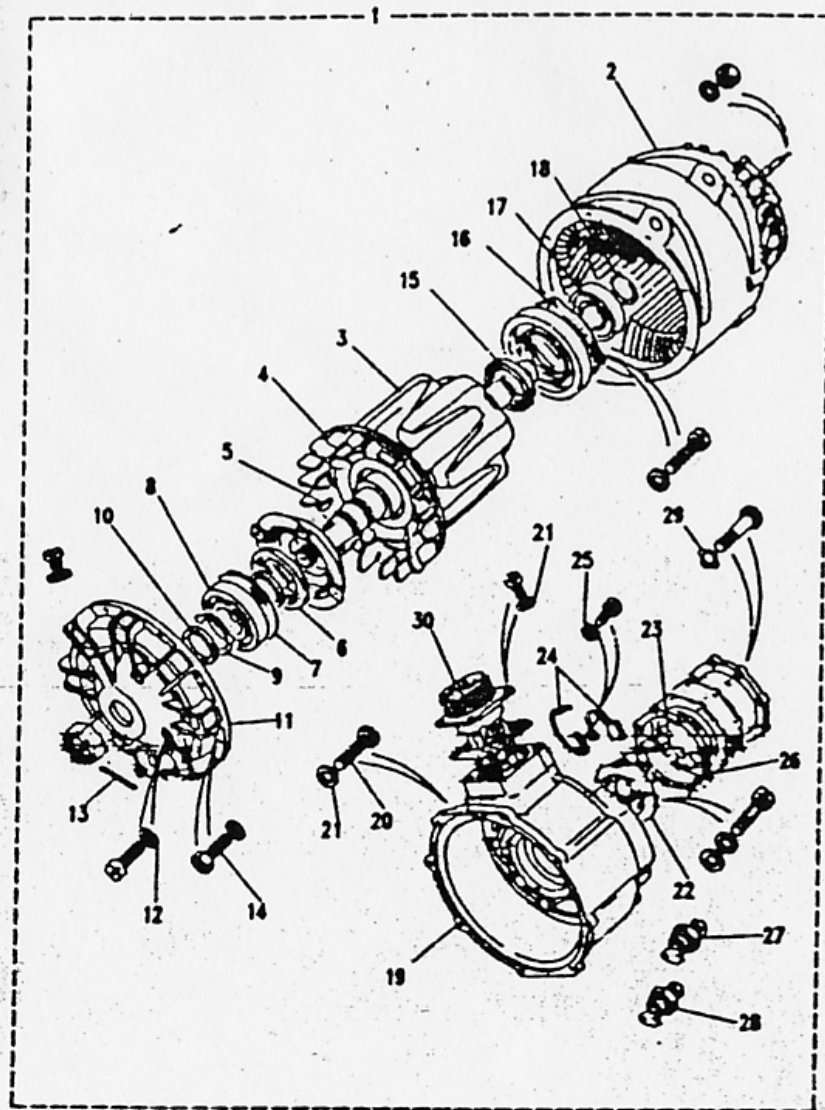
ENGINE	
ENGINE ASSEMBLY 12 & 24 VOLT	1 C2
COVER SIDE	1 C3
CRANKSHAFT PULLEY	1 C4
SUMP	1 C5
COVER FRONT	1 C6
WATER PUMP AND FAN	1 C7
IDLER ASSEMBLY 24VOLT	1 C8
OIL PUMP	1 C9
OIL FILTER	1 C10
CYLINDER HEAD	1 C11
THERMOSTAT & HOUSING	1 C12
CRANKCASE EMISSION CONTROL	1 C13 - C14
MAIN BODY - CARBURETTER	1 C15
DISTRIBUTOR (EARLY TYPE) 24VOLT	1 C16
DISTRIBUTOR (LATEST TYPE) 24VOLT	1 C17
IGNITION COIL AND FILTER 24VOLT	1 C18
ALTERNATOR 24VOLT	1 D2
ALTERNATOR MOUNTINGS 24VOLT	1 D3
ALTERNATOR/DAMPER PULLEYS & BELTS	1 D4
STARTER MOTOR 24VOLT	1 D5 - D6
STARTER SOLENOID 24VOLT	1 D7

Model MILITARY VEHICLE

Page YWBAPC1A

ENGINE - ALTERNATOR 24VOLT

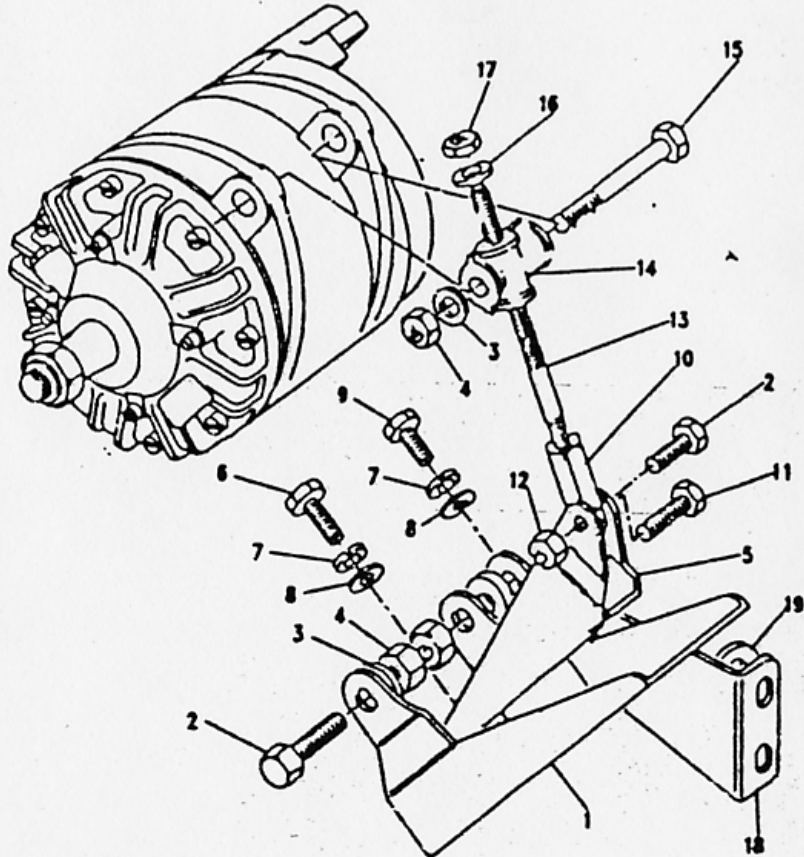
ML Part No.	Description	Qty	Remarks
1	PRC1102	1	Alternator
2	601626	1	Stator assembly
3	601627	1	Rotor & slip rings assy
4	AEU1946	1	Fan
5	RTC1360	1	Key shaft
6	601644	1	Oil seal
7	601648	1	Ring sealing
8	601643	1	Bearing drive end
9	RTC1358	1	Circlip external
10	601646	1	Oil seal
11	601636	1	End shield assy drive end
12	LWZ303	12	Washer locking
13	AEU1087	1	Split pin
14	AEU1085	8	Screw
15	601845	1	Oil seal
16	601849	1	Gasket
17	601642	1	Bearing
18	601653	1	Circlip external
19	AEU1097	1	End shield assy slip ring end
20	AEU1066	8	Screw
21	LWZ303	16	Washer locking
22	601632	1	Brushgear assembly
23	600825	2	Spring
24	606339	1	Brush kit
25	37H1117	6	Washer
26	601641	1	Gasket
27	601629	3	Diode anode base
28	ABU1520	3	Diode cathode base
29	601647	8	Ring sealing
30	AEU1096	1	Plug



Model MILITARY VEHICLE
Page YWBAPC2A

ENGINE - ALTERNATOR MOUNTINGS 24VOLT

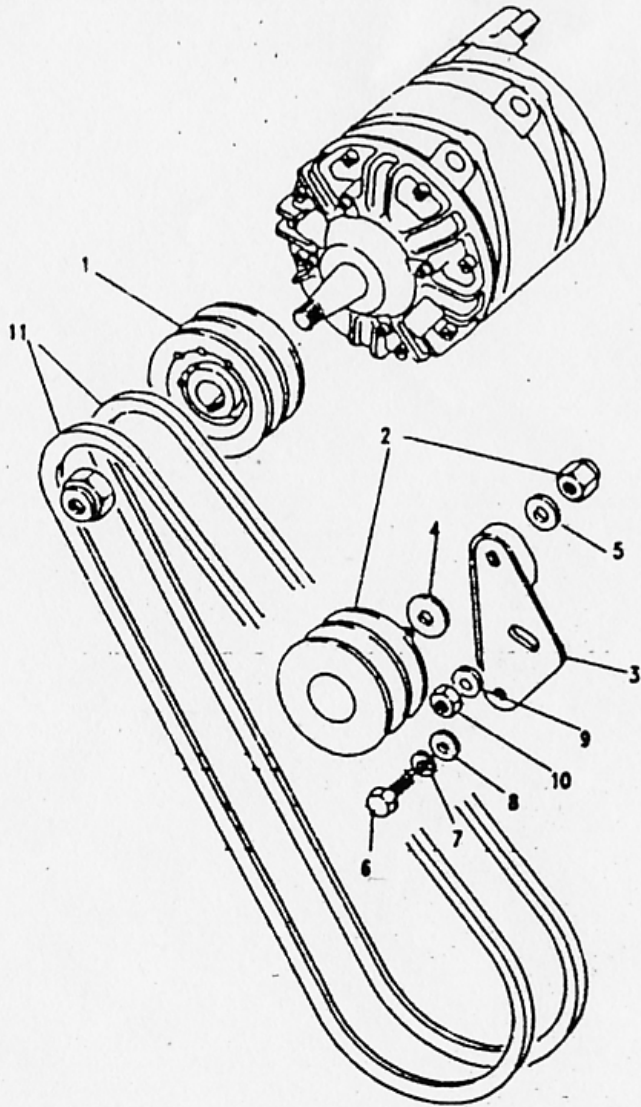
Ill. Part No.	Description	Qty	Remarks
1	ERC9140 Bracket	1	
2	256082 Bolt 1/2"unf x 1.7/8"	2	
3	WC112061L Washer plain	3	
4	NY606041L Self locking nut 1/2"unf	2	
5	547752 Anchor bracket	1	
6	SH506081L Bolt 3/8"unc x 1"	2	
7	WM600061L Washer spring	4	
8	4890 Washer plain	4	NLA
9	SH506095L Bolt 3/8"unc x 1.1/8"	2	
10	534368 Locating block	1	
11	BH608141 Bolt 3/8"unf x 1.3/4"	1	
12	NY606041L Self locking nut 3/8 unf	1	
13	534367 Adjusting rod	1	
14	547692 Adjustment arm	1	
15	BH608041 Bolt 1/2"unf x 4.3/4"	1	NLA
16	RTC611 Washer plain	2	
17	NH607061L Nut	2	
18	547849 Bracket	1	
19	WA108051L Washer plain	1	



Model MILITARY VEHICLE
Page YWBAPC3A

ENGINE - ALTERNATOR/DAMPER PULLEYS & BELTS

Ill.	Part No.	Description	Qty	Remarks
1	554286	Pulley alternator	1	24 volt
	574870	Pulley alternator	1	12 volt
2	554971	Pulley damper	1	
3	587180	Plate mounting	1	
4	4095	Washer plain	1	
5	WB106051L	Washer plain	1	
6	SH505071L	Bolt 5/16"unc x 3/8"	1	
7	3830L	Washer plain	1	
8	WM600051L	Washer spring	1	
9	3830L	Washer plain	1	
10	NY605041L	Nut 5/16"unf nyloc	1	
11	538393	Alternator belt pair	1	24 volt
	563132	Alt/fan belt pair	1	12 volt

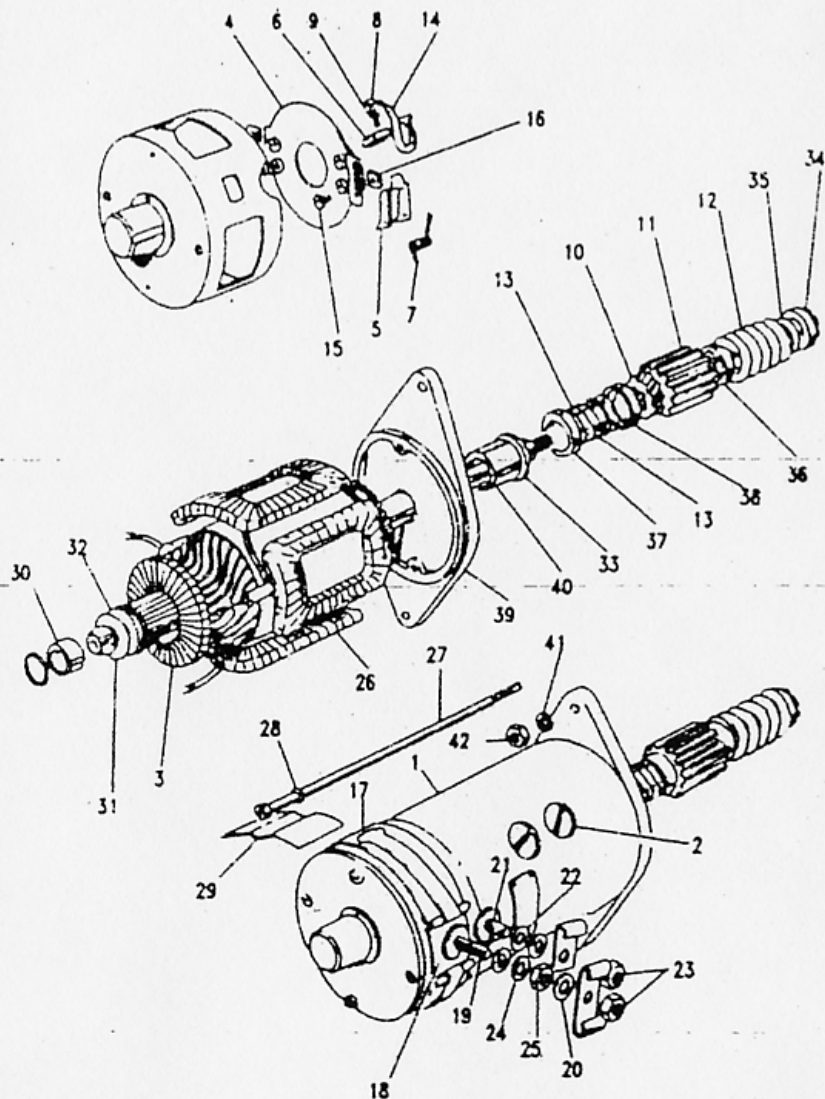




MILITARY VEHICLE

fiche1
D5

ENGINE

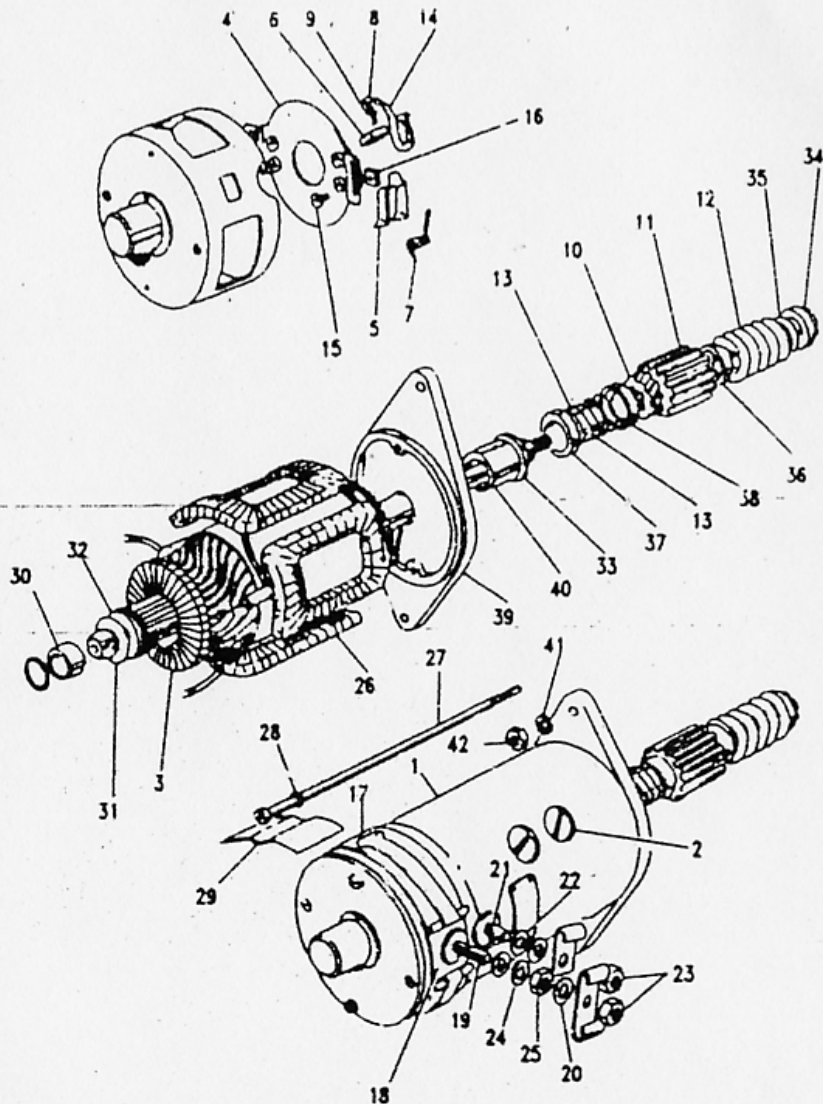


Model MILITARY VEHICLE

Page YWBAPE1A

ENGINE - STARTER MOTOR 24VOLT

III. Part No.	Description	Qty	Remarks
1 90501505	Starter motor	1	
2 600779	Screw 3/8"bsw	4	NLA
3 600757	Armature starter	1	
4 600765	Holder brush gear	1	
5 600767	Holder brush	4	
6 600758	Brush set (comprises 4 brushes)	1	
7 600759	Spring brush	4	
8 600768	Screw 2ba x 9/16" fixing brush	4	
9 WM702001L	Washer spring	4	
10 600760	Sleeve screwed	1	
11 600761	Pinion starter	1	
12 600762	Spring main	1	
13 600763	Spring pinion retaining	1	
14 600766	Lead for brush	2	
15 600769	Screw 2ba x 1/4" fixing brush gear	2	
16 600770	Nut 2ba	2	
17 600771	Cover brush access	1	
18 600772	Clip plate fixing cover	1	NLA
19 600773	Stud terminal positive	1	
20 WB110061L	Washer plain	1	
21 600774	Stud terminal negative	1	
22 WB110061L	Washer plain	2	
23 50526	S/L nut 3/8"bsf	2	
24 WM600061L	Washer spring	2	
25 NH604041L	Nut 3/8"bsf	1	
26 600778	Coil field	4	
27 600780	Bolt through fixing	2	
28 WM600041L	Washer spring	2	
29 600781	Insulator plate	2	NLA
30 600782	Bearing sleeve	1	
31 600783	Washer thrust brass	1	



Model MILITARY VEHICLE
Page YWBAPE1A

ENGINE - STARTER MOTOR 24VOLT

Ill. Part No.	Description	Qty	Remarks
32 600784	Washer thrust steel	1	
33 600785	Washer thrust	1	
34 90607161	Nut armature shaft	1	
35 600786	Distance piece	1	
36 600787	Buffer drive	1	
37 600788	Spring seating	1	
38 600789	Cup for spring	1	
39 600790	End shield	1	
40 600791	Bearing drive end	1	
41 WM600061L	Washer spring	2)Fixing
42 NH606041L	Nut 3/8"unt	2)starter motor



MILITARY VEHICLE

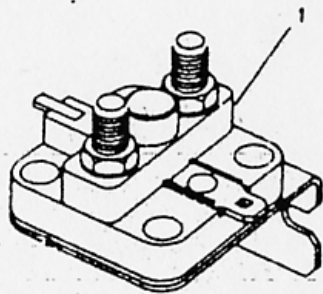
fiche1
D7

ENGINE

Model MILITARY VEHICLE
Page YWBAPE2A

ENGINE - STARTER SOLENOID 24VOLT

III. Part No.	Description	Qty	Remarks
1 AAU2186	Switch starter solenoid	1	
510215	Cable solenoid to starter motor	1	





MILITARY VEHICLE

fiche1
E1

GEARBOX

MASTER INDEX

INTRODUCTION AND ALPHABETICAL INDEX	1	PAGES	ROW B
ENGINE	1	ROW C - D	
GEARBOX	1	ROW E	
TRANSFER BOX	1	ROW F	
AXLES AND SUSPENSION	1	ROW G	
STEERING	1	ROW H	
VEHICLE AND ENGINE CONTROLS	1	ROW I	
BRAKES	1	ROW J	
FUEL SYSTEM AND AIR CLEANER	1	ROW K	
EXHAUST SYSTEM	1	ROW L	
COOLING/HEATING	1	ROW M	
BODY ELECTRICAL	1	ROW N - O	
INTRODUCTION AND ALPHABETICAL INDEX	2	ROW B	
BODY AND CHASSIS	2	ROW C - D	
SEATS	2	ROW E	
STOWAGE	2	ROW F	
MISCELLANEOUS - PAINTS ETC	2	ROW G	
NUMERICAL INDEX	2	ROW H	
NEW PARTS TO FICHE	2	ROW H	

GROUP C

GEARBOX

GEARBOX	
GEARBOX	1 E2
CASING	1 E3
OUTPUT SHAFT	1 E4



**LAND ROVER
PARTS LTD**



MILITARY VEHICLE

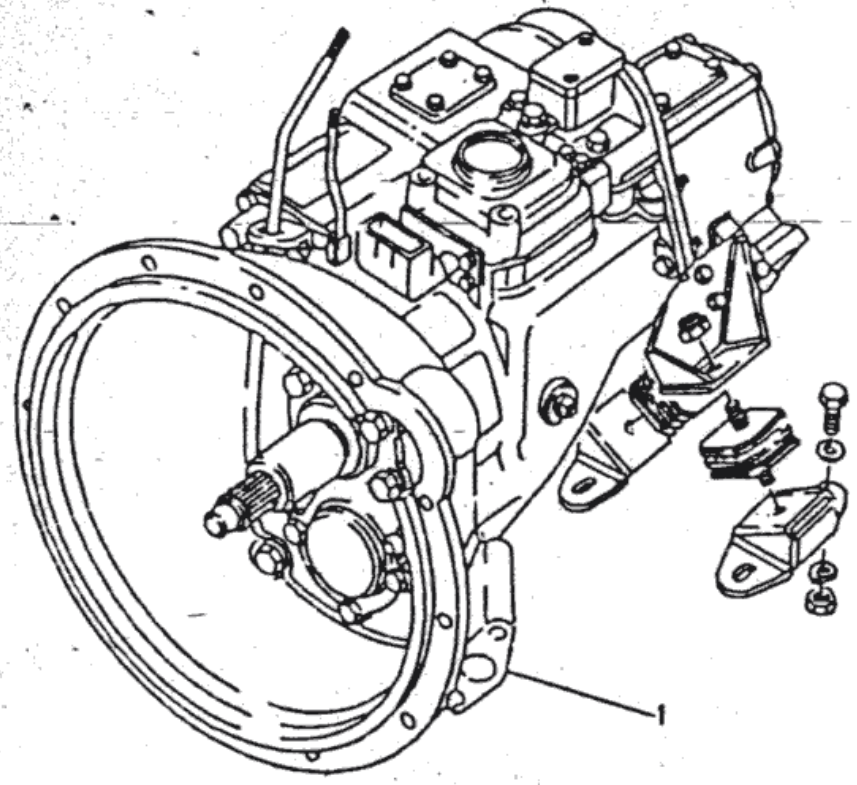
fiche1
E2

GEARBOX

Model MILITARY VEHICLE
Page YWCAAA1A

GEARBOX

M. Part No.	Description	Qty	Remarks
1 RTC2705N	Gearbox assembly	1	



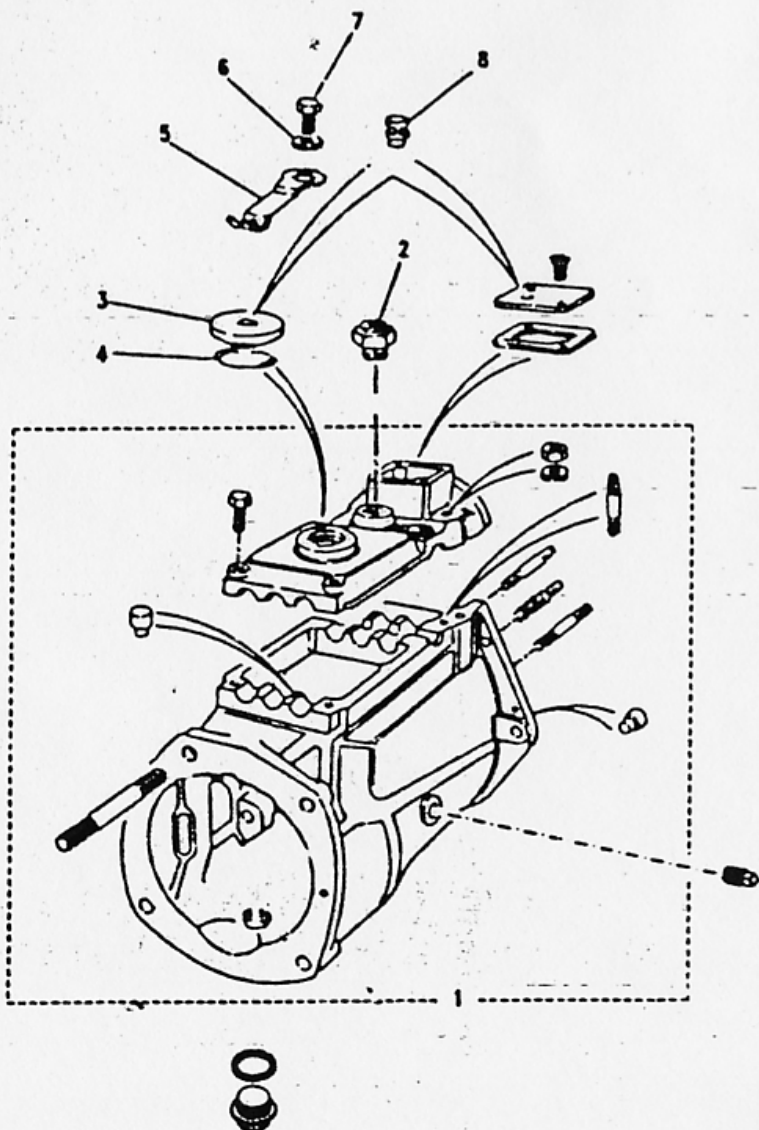
Model MILITARY VEHICLE

Page YWCAEA1A

GEARBOX - CASING

Ill. Part No.	Description	Qty	Remarks
1	FRC7967 Gearbox casing & cover	1	
2	533354 Plug selector spring top	1	
3	90576693 Oil filler cap	1	Upto May 1981
	FRC4080 Oil filler cap	1	From May 1981
4	571251 O ring for oil filler	1	
5	6419 Retaining spring for filler cap	1	Upto May 1981
	FRC4081 Retaining spring for filler cap	1	From May 1981
6	RTC609 Washer plain	1	Note(1)
7	90215789 Bolt 1/4 x .45"	1	Note(1)
8	22G1941 Breather	1	

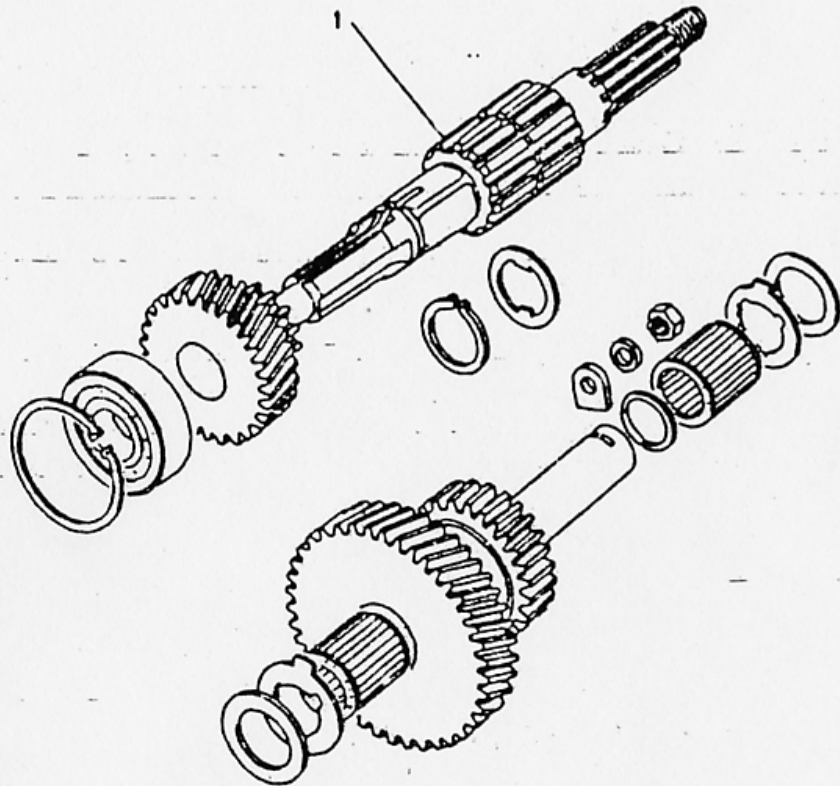
Note(1) Retaining spring to selector spring plug



Model MILITARY VEHICLE
Page YWCA111A

GEARBOX - OUTPUT SHAFT

HL Part No.	Description	Qty	Remarks
1 235985	Output shaft stepped	1	





MILITARY VEHICLE

fiche1
F1

TRANSFER BOX

MASTER INDEX

INTRODUCTION AND ALPHABETICAL INDEX
 ENGINE
 GEARBOX
 TRANSFER BOX
 AXLES AND SUSPENSION
 STEERING
 VEHICLE AND ENGINE CONTROLS
 BRAKES
 FUEL SYSTEM AND AIR CLEANER
 EXHAUST SYSTEM
 COOLING/HEATING
 BODY ELECTRICAL
 INTRODUCTION AND ALPHABETICAL INDEX
 BODY AND CHASSIS
 SEATS
 STOWAGE
 MISCELLANEOUS - PAINTS ETC
 NUMERICAL INDEX
 NEW PARTS TO FICHE

PAGES
 1 ROW B
 1 ROW C - D
 1 ROW E
 1 ROW F
 1 ROW G
 1 ROW H
 1 ROW I
 1 ROW J
 1 ROW K
 1 ROW L
 1 ROW M
 1 ROW N - O
 2 ROW B
 2 ROW C - D
 2 ROW E
 2 ROW F
 2 ROW G
 2 ROW H
 2 ROW H

TRANSFER BOX
 TRANSFER CASING

GROUP D

TRANSFER BOX

1 F2



LAND ROVER
PARTS LTD



MILITARY VEHICLE

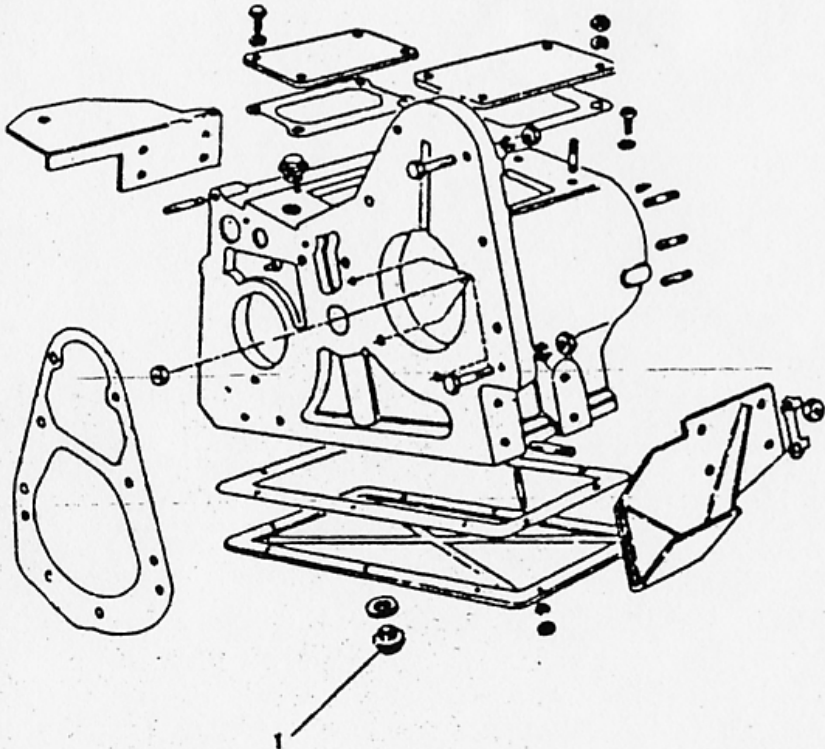
fiche1
F2

TRANSFER BOX

Model MILITARY VEHICLE
Page YWDACA1A

GEARBOX - TRANSFER CASING

Ill. Part No.	Description	Qty	Remarks
1 540870	Plug for transfer box	1	





MASTER INDEX

	PAGES
INTRODUCTION AND ALPHABETICAL INDEX	1 ROW B
ENGINE	1 ROW C ^{7D}
GEARBOX	1 ROW E
TRANSFER BOX	1 ROW F
AXLES AND SUSPENSION	1 ROW G
STEERING	1 ROW H
VEHICLE AND ENGINE CONTROLS	1 ROW I
BRAKES	1 ROW J
FUEL SYSTEM AND AIR CLEANER	1 ROW K
EXHAUST SYSTEM	1 ROW L
COOLING/HEATING	1 ROW M
BODY ELECTRICAL	1 ROW N - O
INTRODUCTION AND ALPHABETICAL INDEX	2 ROW B
BODY AND CHASSIS	2 ROW C - D
SEATS	2 ROW E
STORAGE	2 ROW F
MISCELLANEOUS - PAINTS ETC	2 ROW G
NUMERICAL INDEX	2 ROW H
NEW PARTS TO FICHE	2 ROW H

GROUP E

AXLES AND SUSPENSION

AXLES AND SUSPENSION

PROPSHAFT - REAR	1 G2
AXLE - FRONT	1 G3
AXLE CASE - FRONT	1 G4
SHAFT & HUB DRIVING MEMBER - FRONT	1 G5
AXLE - REAR	1 G6
AXLE CASE - REAR	1 G7
SHAFT & HUB DRIVING MEMBER - REAR	1 G8
SPRINGS ROAD FRONT	1 G9
SPRING U BOLTS & BOTTOM PLATES FRONT	1 G10 - G11
SHOCK ABSORBERS	1 G12
SPRINGS ROAD REAR	1 G13
SPRING U BOLTS & BOTTOM PLATES REAR	1 G14





MILITARY VEHICLE

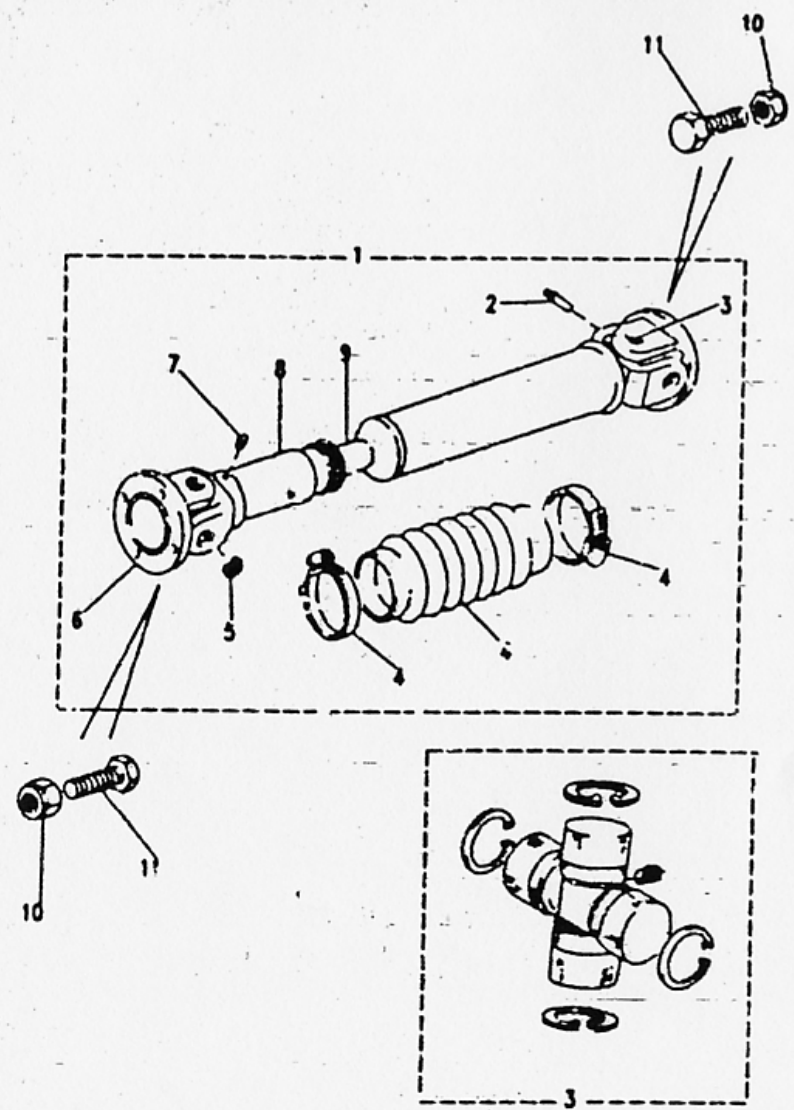
fiche1
G2

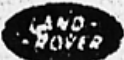
AXLES AND SUSPENSION

Model MILITARY VEHICLE
Page YWEXAC1A

AXLES & SUSPENSION - PROPSHAFT - REAR

Ill. Part No.	Description	Qty	Remarks
1 553004	Propshaft rear	1	
2 548229	Nipple grease	1	
3 RTC3348	Joint universal	2	
4 276484	Gaiter and tips	1	
5 242522	Circlip for flange	8	
6 600656	Flange	2	
7 234532	Nipple grease	1	
8 8407L	Splined end	1	
9 601790	Shaft splined stub	1	
10 NZ608041L	Nut 3/8"unf	8	
11 509045P	Bolt 3/8"unf x 1.1/8"	8	





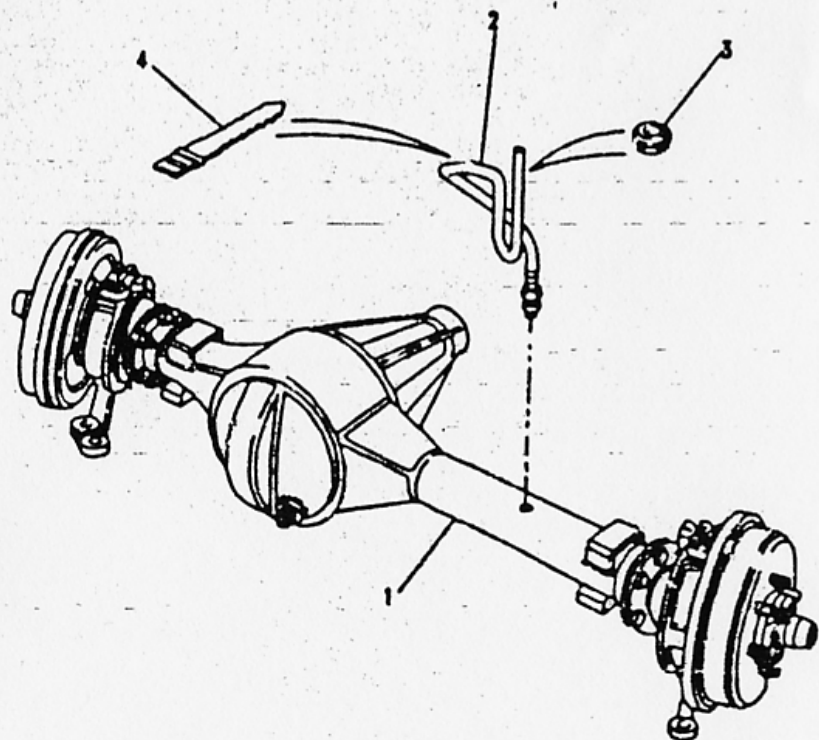
Model MILITARY VEHICLE
Page YWEXCA1A

AXLES & SUSPENSION - AXLE - FRONT

M. Part No.	Description	Qty	Remarks
1 FRC3382	Axle assy front RH stg	1	Note(1)
FRC3383	Axle assy front LH stg	1	Note(1)
2 595396	Pipe breather remote	1	
3 235113	Grommet in no.2	1	
4 RTC222	Crossmember		
	Clasit, breather pipe to brake pipe	1	
	Gaiter kit swivel housing	1	

Note(1)

Axle assemblies FRC3382/3 peculiar to the 1/2 ton Land Rover are no longer available and are superseded to the basic Series III axle assemblies FRC4396/7





MILITARY VEHICLE

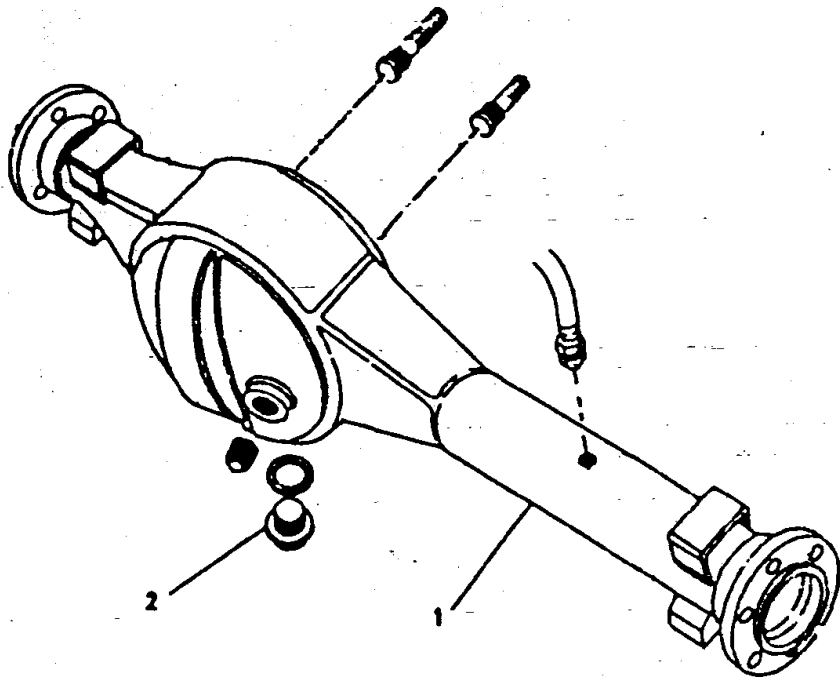
fiche1
G4

AXLES AND SUSPENSION

Model MILITARY VEHICLE
Page YWEXCC1A

AXLES & SUSPENSION - AXLE CASE - FRONT

Ill. Part No.	Description	Qty	Remarks
1 FRC3366	Axle case front	1	
2 608248	Plug drain	1	



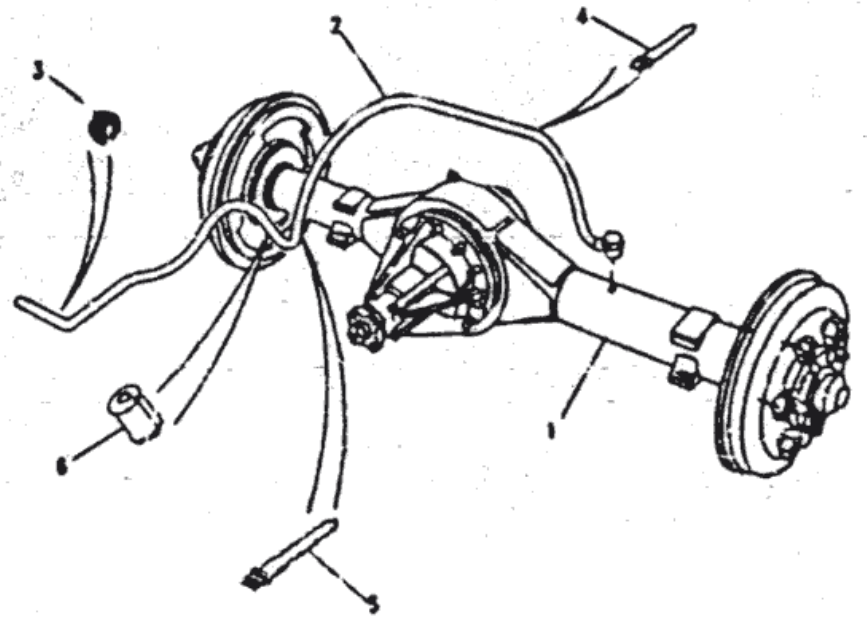


Model MILITARY VEHICLE
Page YWEXEA1A

AXLES & SUSPENSION - AXLE - REAR

ML Part No.	Description	Qty	Remarks
1 FRC3388	Axe assembly rear	1	Note(1)
2 595473	Pipe remote breather	1	
3 312858	Grommet chassis sidemember	1	
4 RTC222	Cleat	4)Breather pipe
5 240429	Cleat	1)to brake pipe
6 272512	Grommet breather pipe	1	

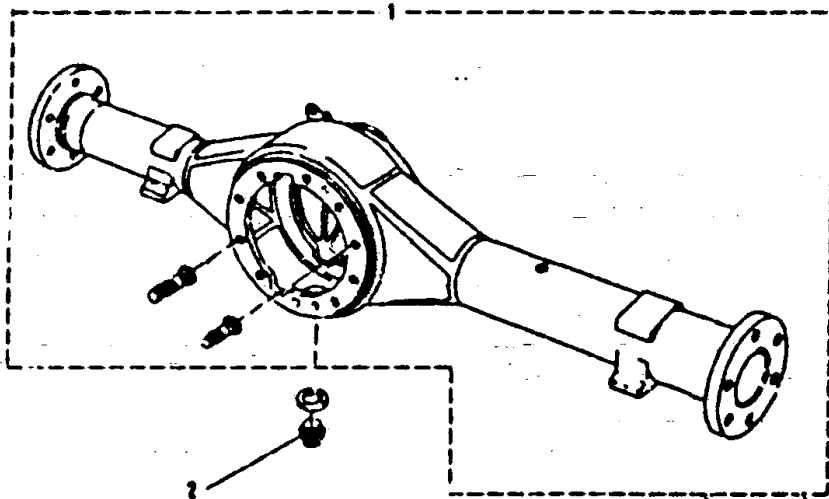
Note(1) Axe assembly FRC3388 peculiar to the 1/2 ton Land Rover is no longer available and is superseded to the basic Series III 88" axle assembly FRC7298

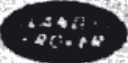


Model MILITARY VEHICLE
Page YWEXEC1A

AXLES & SUSPENSION - AXLE CASE - REAR

Ill. Part No.	Description	Qty	Remarks
1 FRC3367	Axle case rear	1	
2 808246	Plug drain	1	

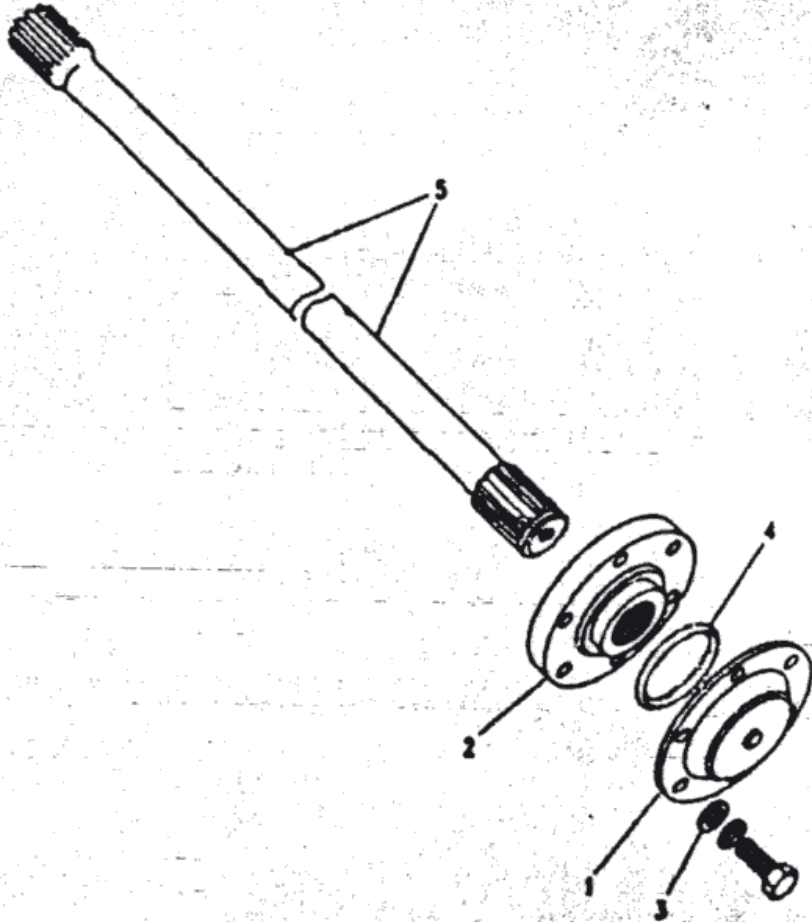




Model MILITARY VEHICLE
Page YWEXE1A

AXLES & SUSPENSION - SHAFT & HUB DRIVING MEMBER - REAR

Ill. Part No.	Description	Quantity	Remarks
1 571323	Cap & stud assembly	2	
2 90571321	Hub driving member	2	
3 WB110061L	Washer plain-driving member to cap and stud	12	
4 561981	O-ring-cap & stud to driving member	2	
5 506531	Shaft axle rear LH	1	
506530	Shaft axle rear RH	1	



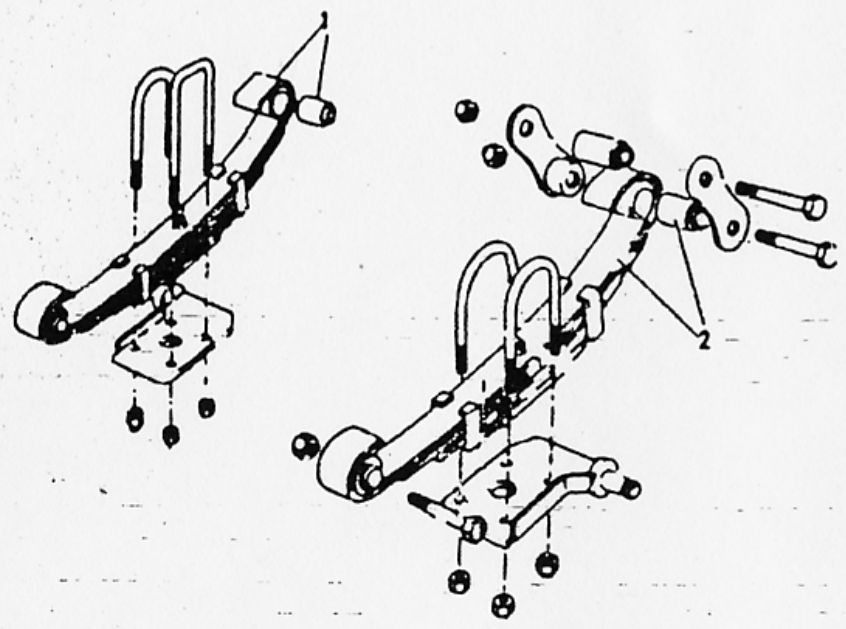


Model MILITARY VEHICLE
Page YWEX0C1A

SUSPENSION - SPRINGS ROAD FRONT

Ill. Part No.	Description	Qty	Remarks
1 562623	Front spring drivers side	1	Note (1)
562627	Front spring drivers side	1	Note (2)
2 562624	Front spring passeng.side	1	Note (1)
562628	Front spring passeng.side	1	Note (2)

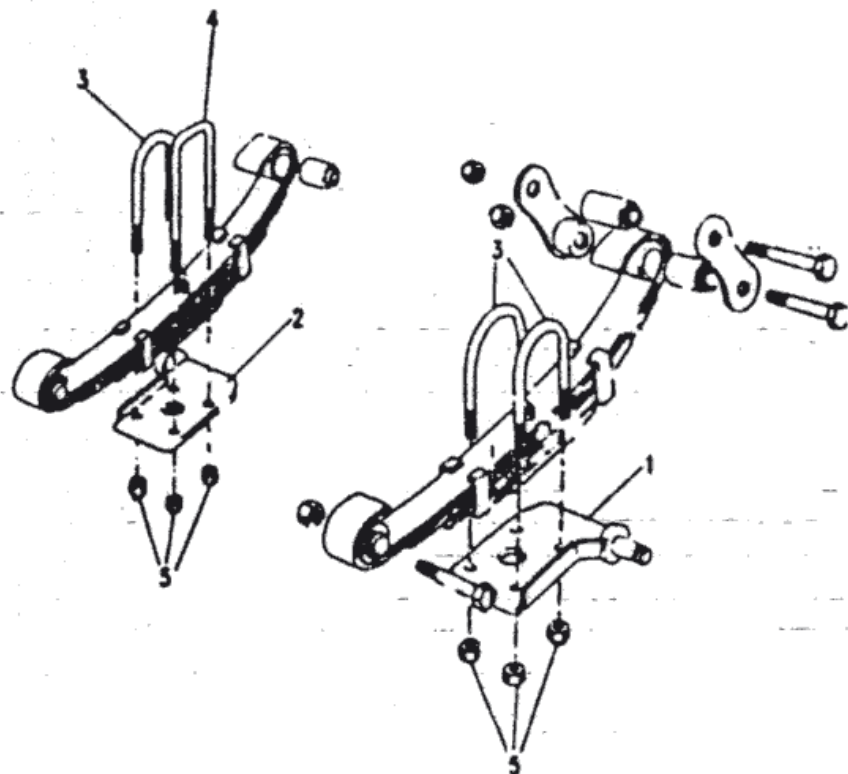
Note(1) Applicat: vehicles up to contract number WV11367 item 1
 Note(2) Applicat: vehicles from contract number WV11367 item 2 including
 FVE-- C 13



Model MILITARY VEHICLE

Page YWEXC2A

SUSPENSION - SPRING U BOLTS & BOTTOM PLATES FRONT



Ill. Part No.	Description	Qty	Remarks
1 559838	Plate spring bottom front LH	1	Note (1)
624077	Plate spring bottom front LH	1	Note (2)
NRC3898	Plate spring bottom front LH	1	Note (6)
2 559843	Plate spring bottom front RH	1	Note (1)
624078	Plate spring bottom front RH	1	Note (2)
NRC3896	Plate spring bottom front RH	1	Note (6)
3 562640	U Bolt front plate	3	Note (1)
562641	U Bolt front plate	3	Note (3)
624030	U Bolt front plate	3	Note (5)
NRC5002	U Bolt front plate	3	Note (6)
4 562836	U Bolt front plate	1	Note (1)
562837	U Bolt front plate	1	Note (3)
624038	U Bolt front plate	1	Note (5)
NRC5007	U Bolt front plate	1	Note (6)

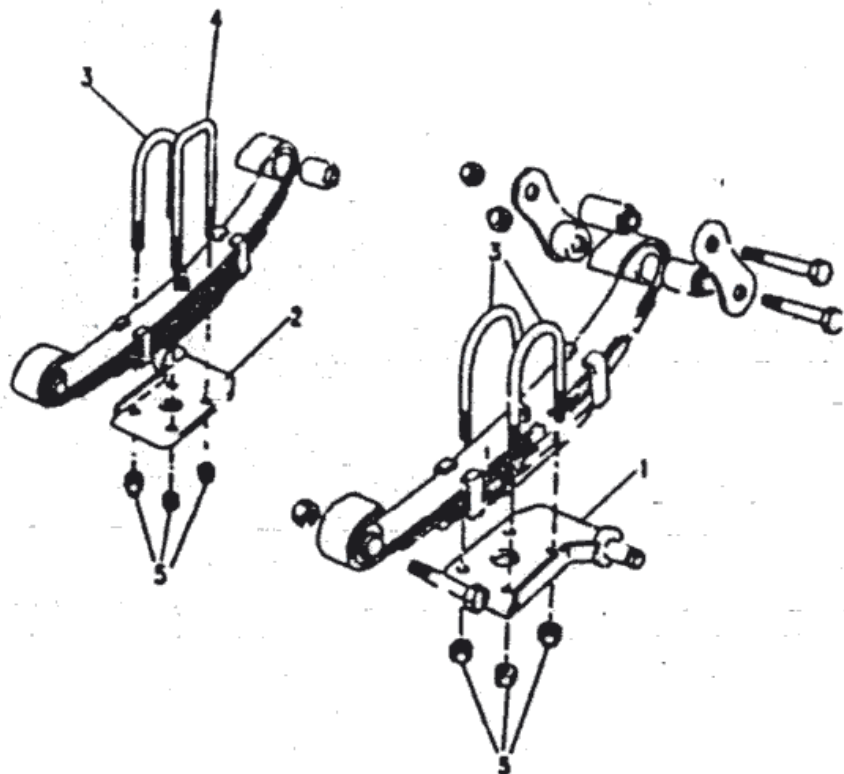
Model MILITARY VEHICLE

Page YWEXIC2A

SUSPENSION - SPRING U BOLTS & BOTTOM PLATES FRONT

ML Part No.	Description	Qty	Remarks
5 251323	Nut 7/16"bal	8	Note (4)
NY112041L	Nut M12	8	Note (7)

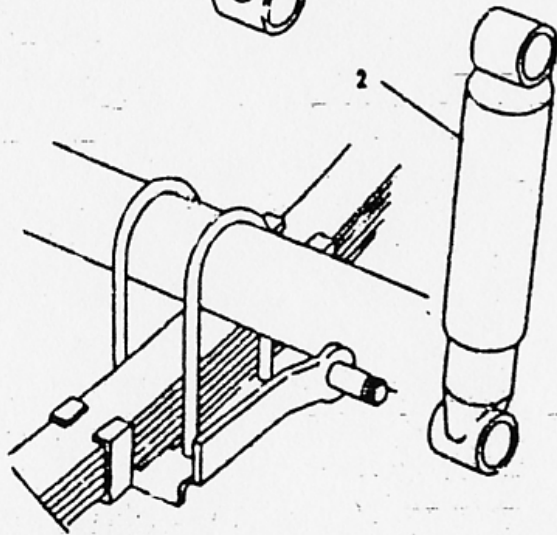
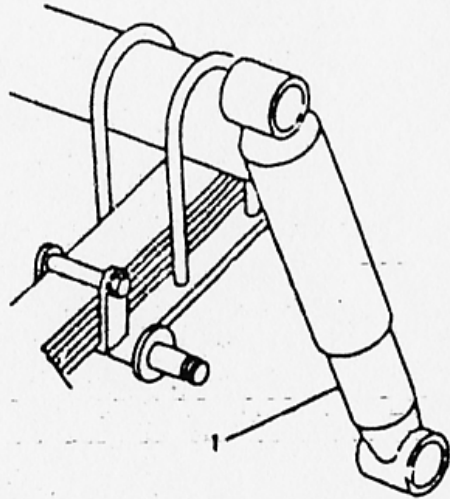
- Note(1) Applicable to 12Volt vehicle contracts WV10787 to WV11367 item 1 inclusive
- Note(2) Applicable to 12 and 24Volt vehicle contracts WV11367 item 2 to FVE22A/115 inclusive
- Note(3) Applicable to 24Volt vehicle contracts WV10775 to WV11430 inc.
- Note(4) Applicable to U Bolt part numbers 562636/7 and 562640/1
- Note(5) Applicable to 12Volt vehicle contracts WV11367 item 2 to FVE/115 inclusive and 24Volt vehicle contracts WV11701 to FVE22A/95 inclusive
- Note(6) Applicable to vehicles built 1980 commencing front axle serial numbers RHstg 20106564E and LHstg 20410264E
- Note(7) Applicable to U Bolt part numbers 624030/6 and NRC50C2/7



Model MILITARY VEHICLE
Page YWEXC3A

SUSPENSION - SHOCK ABSORBERS

M. Part No.	Description	Qty	Remarks
1 RTC4235	Shock absorber rear	2	
2 RTC4483	Shock absorber front	2	





MILITARY VEHICLE

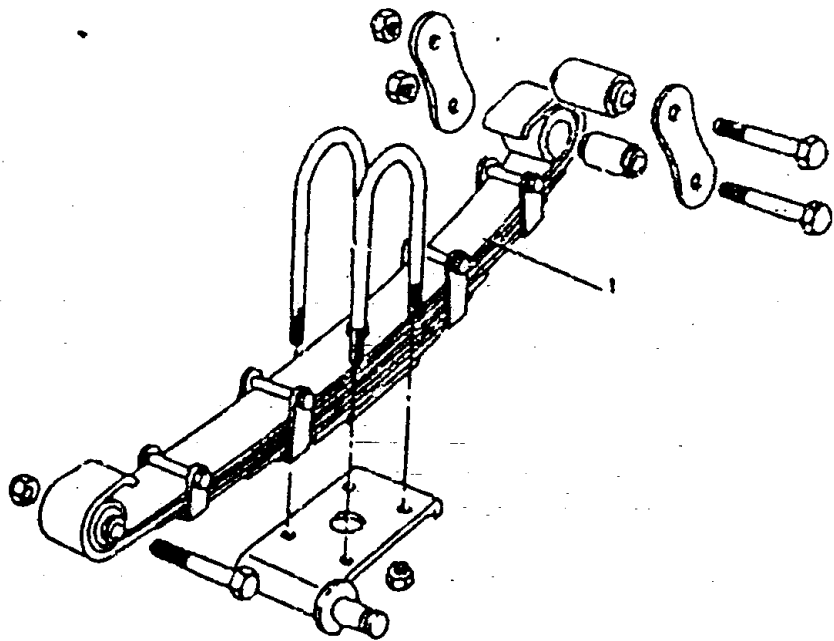
fiche1
G13

AXLES AND SUSPENSION

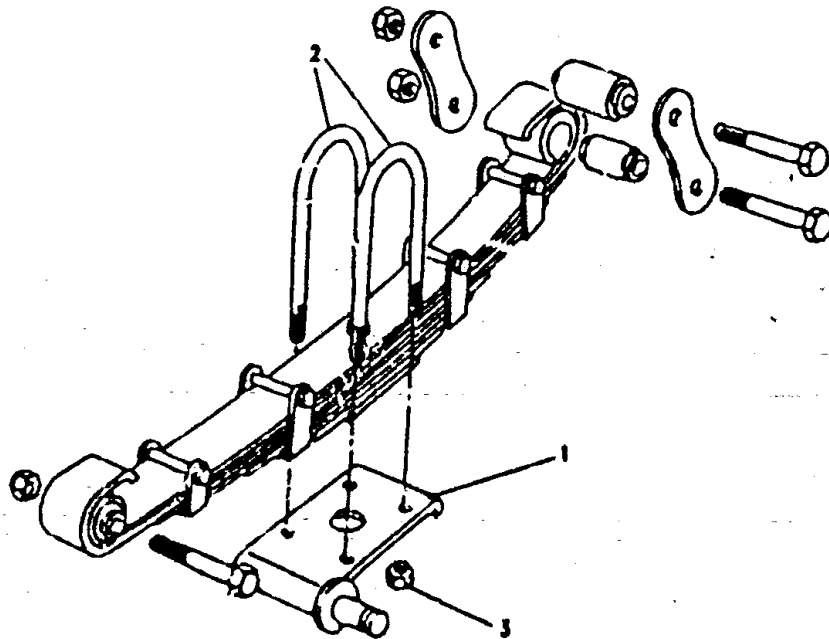
Model MILITARY VEHICLE
Page YWEXXC1A

SUSPENSION - SPRINGS ROAD REAR

M. Part No.	Description	Qty	Remarks
1 582631	Rear spring drivers side	1	
582632	Rear spring passeng. side	1	



Model MILITARY VEHICLE
Page YWEXXC2A

SUSPENSION - SPRING U BOLTS & BOTTOM PLATES REAR


M. Part No.	Description	Qty	Remarks
1 624064	Plate spring bottom rear LH	1) Note (2)
90624063	Plate spring bottom rear RH	1	
NRC3897	Plate spring bottom rear LH	1) Note (3)
NRC3898	Plate spring bottom rear RH	1	
2 562835	U Bolt plate rear	4	Note (1)
624028	U Bolt plate rear	4	Note (2)
NRC3886	U Bolt plate rear	4	Note (3)
3 251323	Nut 7/16" bel	8	Note (1)
NY112041L	Nut M12	8	Note (4)

Note(1) Applicable to 12Volt vehicle contracts WV10787 to WV11367 item 1 inclusive and 24Volt vehicle contracts WV10775 to WV11430 inclusive

Note(2) Applicable to 12Volt vehicle contracts WV11367 item 2 to FVE22A/115 inclusive and 24Volt vehicle contracts WV11701 to FVE22A/95 inclusive

Note(3) Applicable to vehicles built from 1980 commencing rear axle serial number 20412996

Note(4) Applicable to U bolt part numbers 624028 and NRC3886



MASTER INDEX

INTRODUCTION AND ALPHABETICAL INDEX	1	ROW B
ENGINE	1	ROW C - D
GEARBOX	1	ROW E
TRANSFER BOX	1	ROW F
AXLES AND SUSPENSION	1	ROW G
STEERING	1	ROW H
VEHICLE AND ENGINE CONTROLS	1	ROW I
BRAKES	1	ROW J
FUEL SYSTEM AND AIR CLEANER	1	ROW K
EXHAUST SYSTEM	1	ROW L
COOLING/HEATING	1	ROW M
BODY ELECTRICAL	1	ROW N - O
INTRODUCTION AND ALPHABETICAL INDEX	2	ROW B
BODY AND CHASSIS	2	ROW C - D
SEATS	2	ROW E
STOWAGE	2	ROW F
MISCELLANEOUS - PAINTS ETC	2	ROW G
NUMERICAL INDEX	2	ROW H
NEW PARTS TO FICHE	2	ROW H

GROUP F

STEERING

STEERING

COLUMN SHROUD
COLUMN MOUNTING

1 H2
1 H3



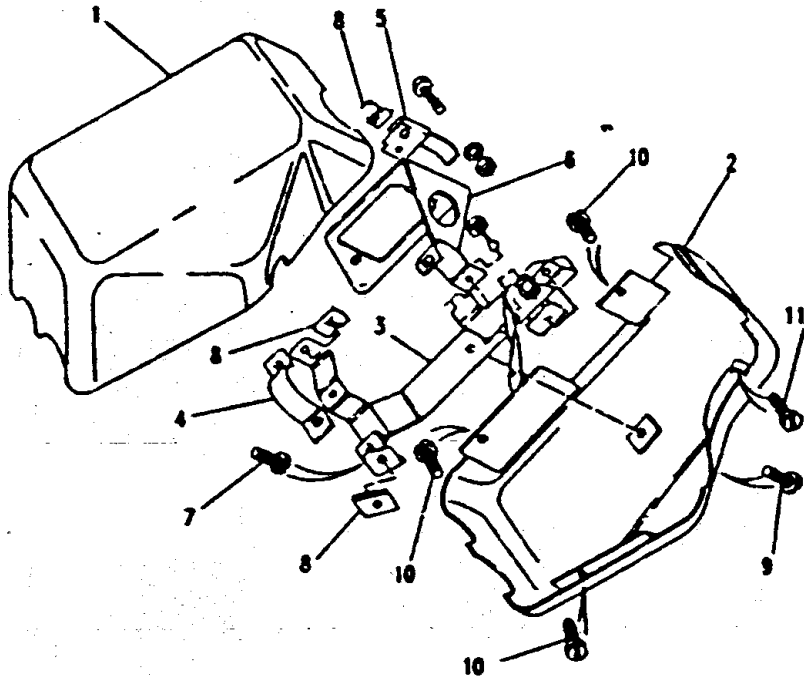
MILITARY VEHICLE

fiche1
H2

STEERING

Model MILITARY VEHICLE
Page YWFXCA1A

STEERING - COLUMN SHROUD

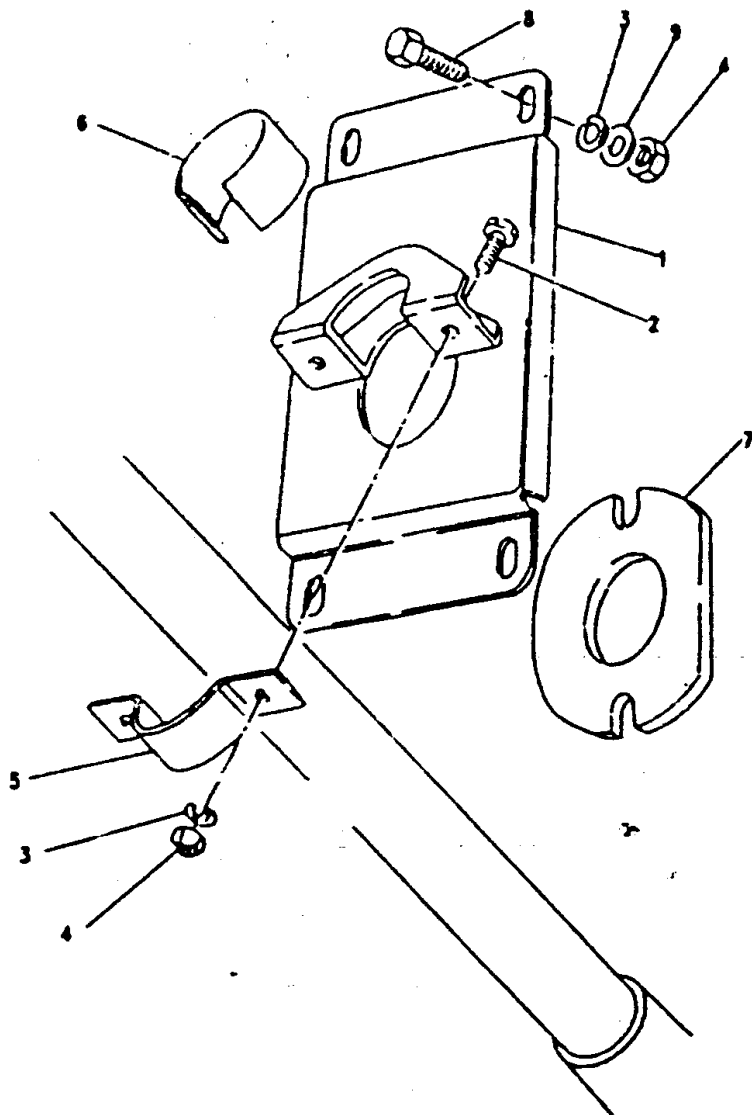


ML Part No.	Description	Qty	Remarks
1 348468	Shroud upper	1	
2 348469	Shroud lower	2	
3 589682	Bracket shroud to column	1	
4 579292	Saddle bracket	1	
5 579454	Bracket shroud to fuse mounting bracket	1	
6 589271	Mounting bracket for fuse unit	1	
7 SP910201L	Screw 10unf x 5/8" saddle bracket	1	
8 PFSS10L	Spire fixing	4	
9 78829	Screw 10unf x 1/2"	1)Shroud to
10 AB610041L	Screw 10 x 1/2"	3)brackets
11 AB610055	Drive screw No.10 x 5/8"	1)

Model MILITARY VEHICLE
Page YWFKEA1A

STEERING - COLUMN MOUNTING

M. Part No.	Description	Qty	Remarks
1 335661	Bracket support assembly	1	
2 604071L	1/4"unf x 7/8	2)Clip to
3 WWS00041L	Washer spring	2)bracket
4 NH604041L	Nut 1/4"unf	2)
5 335660	Clip	1	
6 349747	Rubber strip-steering column clamp	1	
7 MRC4867	Sealing pad	1	
8 255208	Bolt 1/4"unf x 5/8"	4)Support brkt
9 3831L	Washer plain	8)to dash





MILITARY VEHICLE

fiche1
11

VEHICLE AND ENGINE CONTROLS

MASTER INDEX

	PAGES
INTRODUCTION AND ALPHABETICAL INDEX	1
ENGINE	1
GEARBOX	1
TRANSFER BOX	1
AXLES AND SUSPENSION	1
STEERING	1
VEHICLE AND ENGINE CONTROLS	1
BRAKES	1
FUEL SYSTEM AND AIR CLEANER	1
EXHAUST SYSTEM	1
COOLING/HEATING	1
BODY ELECTRICAL	1
INTRODUCTION AND ALPHABETICAL INDEX	1
BODY AND CHASSIS	2
SEATS	2
STOWAGE	2
MISCELLANEOUS - PAINTS ETC	2
NUMERICAL INDEX	2
NEW PARTS TO FICHE	2

GROUP G

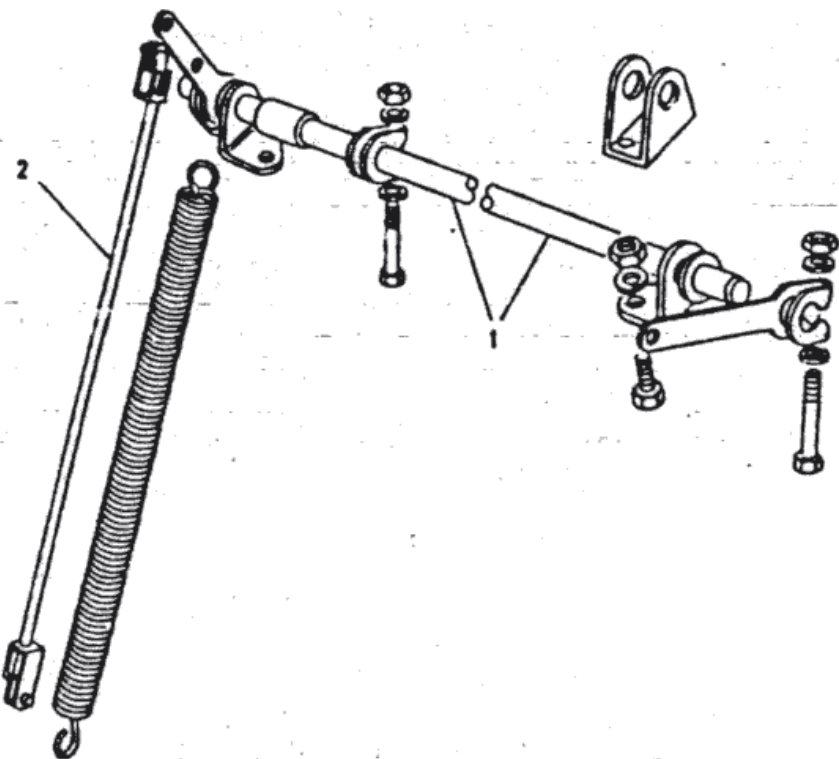
VEHICLE AND ENGINE CONTROLS

VEHICLE AND ENGINE CONTROLS	
CROSS SHAFT	1 12
BELL CRANK AND CONTROL ROD	1 13
HAND THROTTLE	1 14

Model MILITARY VEHICLE
Page YWGXA1A

ACCELERATOR - CROSS SHAFT

ML Part No.	Description	Qty	Remarks
1 577158	Shaft cross accelerator	1	RHstg
277153	Shaft cross accelerator	1	LHstg
2 562840	Rod control pedal shaft to relay	1	NLA





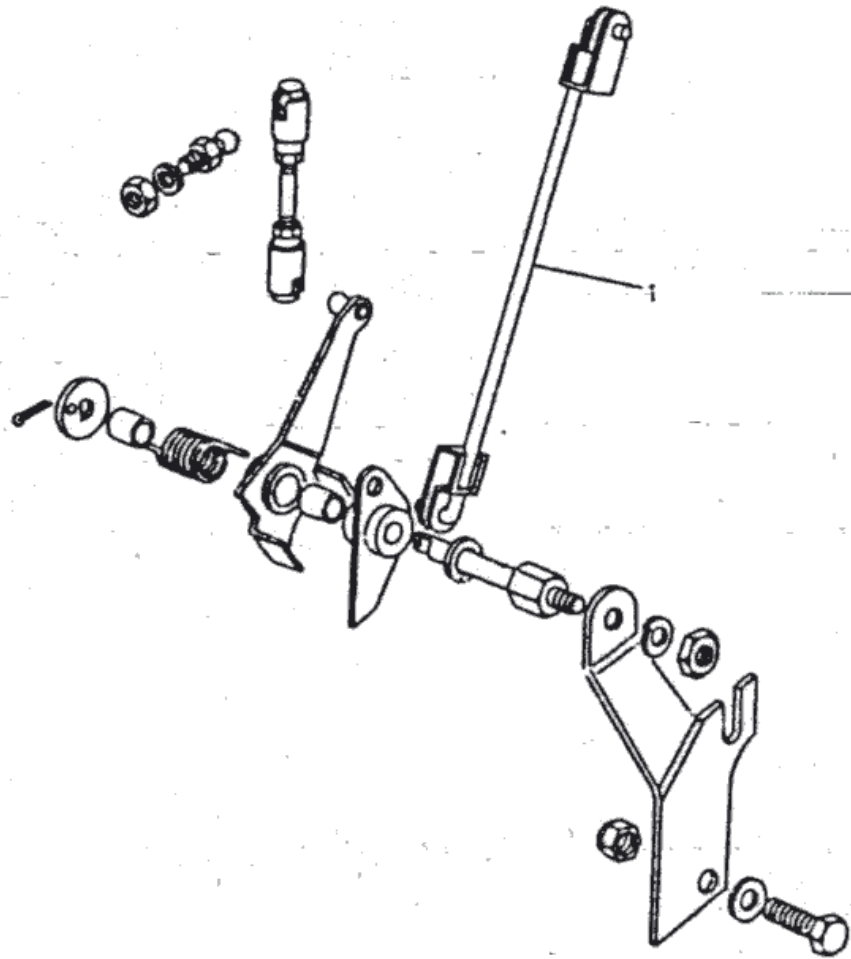
MILITARY VEHICLE

fiche1
13

VEHICLE AND ENGINE CONTROLS

Model MILITARY VEHICLE
Page YWGXAA2A

ACCELERATOR - BELL CRANK AND CONTROL ROD



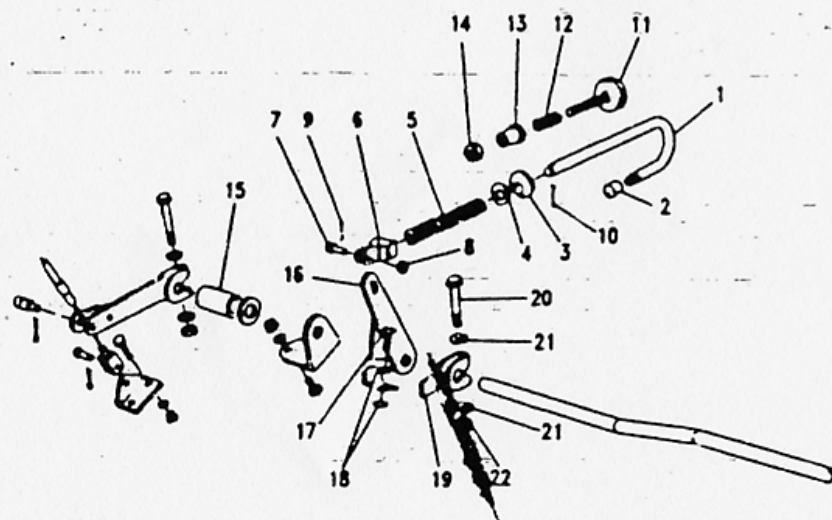
Ill. Part No.	Description	Qty	Remarks
1 577230	Rod control relay to engine	1	RHstg & LHstg



Model MILITARY VEHICLE

Page YWGXA1A

FUEL - HAND THROTTLE



ML Part No.	Description	Qty	Remarks
1 569107	Hand throttle control rod	1	
2 569479	Protection cover	1	
3 70742	Grommet	1	
4 RTC809	Washer plain	1	
5 569110	Spring	1	
6 568979	Fork end	1	
7 569009	Clevis pin	1	
8 WA702101L	Washer plain	1	
9 3958L	Split pin	1	
10 3359	Split pin	1	
11 569108	Adjusting screw	1	NLA
12 569109	Spring	1	NLA
13 514929	Riv nut	1	
14 NY604041L	Lock nut	1	
15 592306	Distance piece	1	
16 592380	Lever	1	
17 SH910241L	Bolt 10unf x 5/8"	1	RHD only
18 HN2005L	Nut 10unf	2	RHD only
19 577127	Cross shaft lever	1	LHD only
20 BH604101L	Bolt 1/4"unf x 1.1/4"	1	LHD only
21 3912	Washer plain	2	LHD only nla
22 NH604041L	Nut 1/4"unf	1	LHD only



MILITARY VEHICLE

fiche1
J1

BRAKES

MASTER INDEX

	PAGES
INTRODUCTION AND ALPHABETICAL INDEX	1 ROW B
ENGINE	1 ROW C - D
GEARBOX	1 ROW E
TRANSFER BOX	1 ROW F
AXLES AND SUSPENSION	1 ROW G
STEERING	1 ROW H
VEHICLE AND ENGINE CONTROLS	1 ROW I
BRAKES	1 ROW J
FUEL SYSTEM AND AIR CLEANER	1 ROW K
EXHAUST SYSTEM	1 ROW L
COOLING/HEATING	1 ROW M
BODY ELECTRICAL	1 ROW N - O
INTRODUCTION AND ALPHABETICAL INDEX	2 ROW B
BODY AND CHASSIS	2 ROW C - D
SEATS	2 ROW E
STOWAGE	2 ROW F
MISCELLANEOUS - PAINTS ETC	2 ROW G
NUMERICAL INDEX	2 ROW H
NEW PARTS TO FICHE	2 ROW H

GROUP H

BRAKES

BRAKES

MASTER CYLINDER, SERVO & SHUTTLE VALVE

1 J2



LAND ROVER
PARTS LTD

Model MILITARY VEHICLE

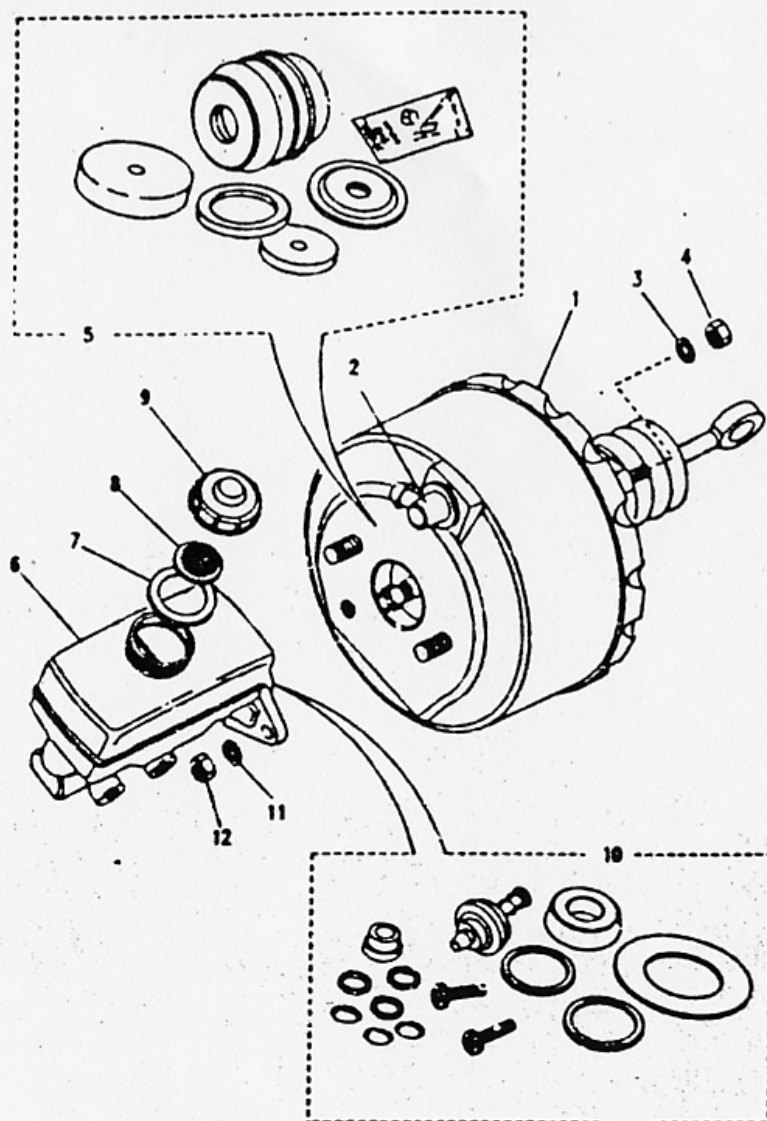
Page YWHXAA1A

BRAKES - MASTER CYLINDER, SERVO & SHUTTLE VALVE

Pl. Part No.	Description	Qty	Remarks
DUAL LINE BRAKING SYSTEM (UP TO JULY 1980)			
1 569338	Servo unit	1	Note (1)
2 18G8953L	Valve non-return and grommet	1	
3 GHF332	Washer spring	4	
4 GHF201	Nut 5/16unf	4	
5 18G8951L	Kit servo unit overhaul	1	
6 569671	Master cylinder	1	Note (1)
7 264767	Seal	1	
8 592324	Filter	1	
9 606420	Cap filler	1	
10 90806+22	Kit master cylinder overhaul	1	
11 11966	Washer spring	2	
12 GHF202	Nut 3/8unf	2	
599443	Valve shuttle	1	

Note(1)

From July 1980 please refer to dual line system in series 3 civilian fiche/catalogue for these items.





MILITARY VEHICLE

fiche1
K1

FUEL SYSTEM AND AIR CLEANER

MASTER INDEX

INTRODUCTION AND ALPHABETICAL INDEX	1	PAGES
ENGINE	1	ROW B
GEARBOX	1	ROW C - D
TRANSFER BOX	1	ROW E
AXLES AND SUSPENSION	1	ROW F
STEERING	1	ROW G
VEHICLE AND ENGINE CONTROLS	1	ROW H
BRAKES	1	ROW I
FUEL SYSTEM AND AIR CLEANER	1	ROW J
EXHAUST SYSTEM	1	ROW K
COOLING/HEATING	1	ROW L
BODY ELECTRICAL	1	ROW M
INTRODUCTION AND ALPHABETICAL INDEX	1	ROW N - O
BODY AND CHASSIS	2	ROW B
SEATS	2	ROW C - D
STOWAGE	2	ROW E
MISCELLANEOUS - PAINTS ETC	2	ROW F
NUMERICAL INDEX	2	ROW G
NEW PARTS TO FICHE	2	ROW H

GROUP J

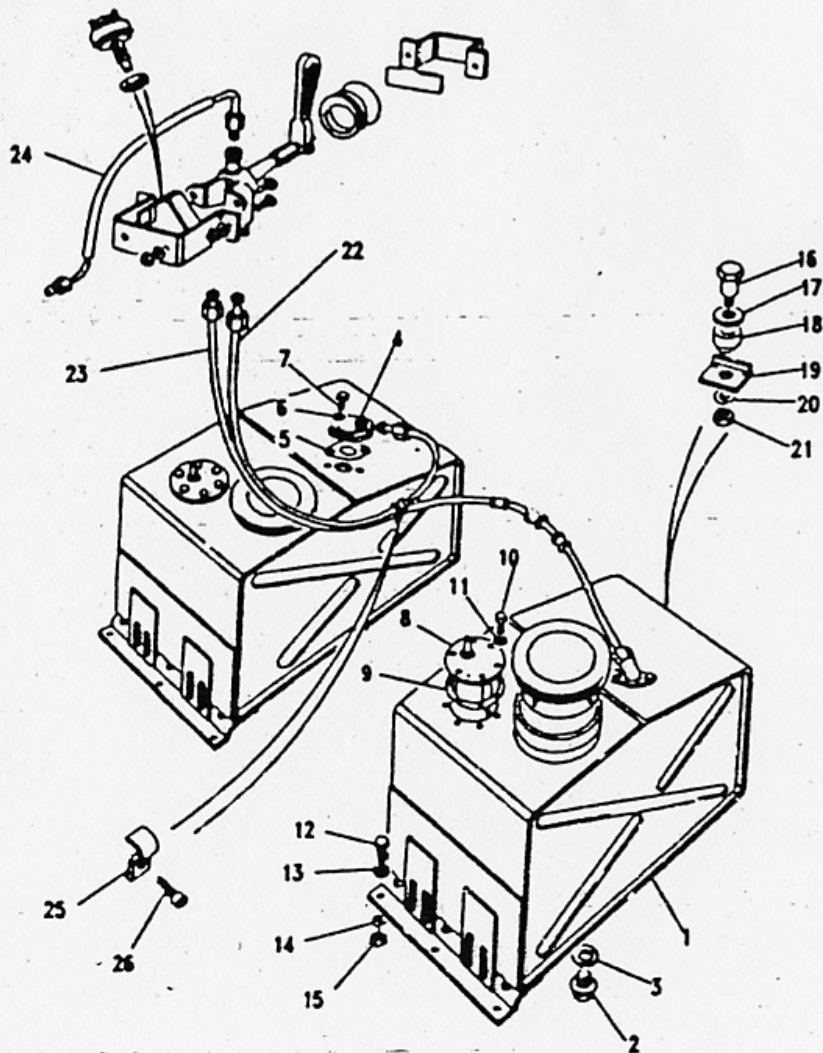
FUEL SYSTEM AND AIR CLEANER

FUEL SYSTEM AND AIR CLEANER TANKS AND FITTINGS

1 K2



LAND ROVER
PARTS LTD



Model MILITARY VEHICLE
Page YWJXAA1A

FUEL SYSTEM - TANKS AND FITTINGS

Ill.	Part No.	Description	Qty	Remarks
1	STC613	Fuel tank complete	2	
	569006	Cap filter	2	
	NRC8836	Gasket filter cap	2	
2	540870	Plug drain	2	
3	515599	Washer joint drain plug	2	
4	NRC6905	Fuel feed elbow and pipe	2	
5	267837	Washer joint for elbow	2	
6	3101	Washer Spring	4)Fuel feed
7	3972	Set screws	4)to tank
8	560757	Fuel tank gauge unit	2	Note(1)
	90560612	Fuel tank gauge unit	2	Note(2)
9	RTC1148	Washer gauge unit	2	
10	3890	Set screw 3ba x 3/8"	12)Fixing unit
11	3101	Washer spring	12)to tank
12	SH6C5081L	Bolt 5/16"unf x 3/4"	6)
13	3830L	Washer plain	12)Securing front
14	WM600051L	Washer spring	6)of fuel tank
15	NH605041L	Nut	6)to chassis
16	543803	Bolt 5/16"unf x 1.1/2"	2)Securing rear
17	2265L	Washer	2)of fuel tank
18	90508545	Rubber bush	4)to chassis
19	543806	Stiffener plate	2)
20	WM600051L	Washer spring	2)
21	NH605041L	Nut	2)
22	90577529	Fuel pipe tank to 2 way	1	Tap rh
23	NRC2228	Fuel pipe tank to 2 way	1	Tap lh
	56866	Clip	4)Left hand
	78929	Screw 10unf x 1/2"	6)fuel pipe to
	WM702001L	Washer spring	6)heelboard
	AEU1448	Clip	1)
	HN2005L	Nut	6)
	362459	Bracket	1) (NLA)
	WA702101L	Washer plain	1)
24	90577531	Fuel pipe tap to f/pump	1	



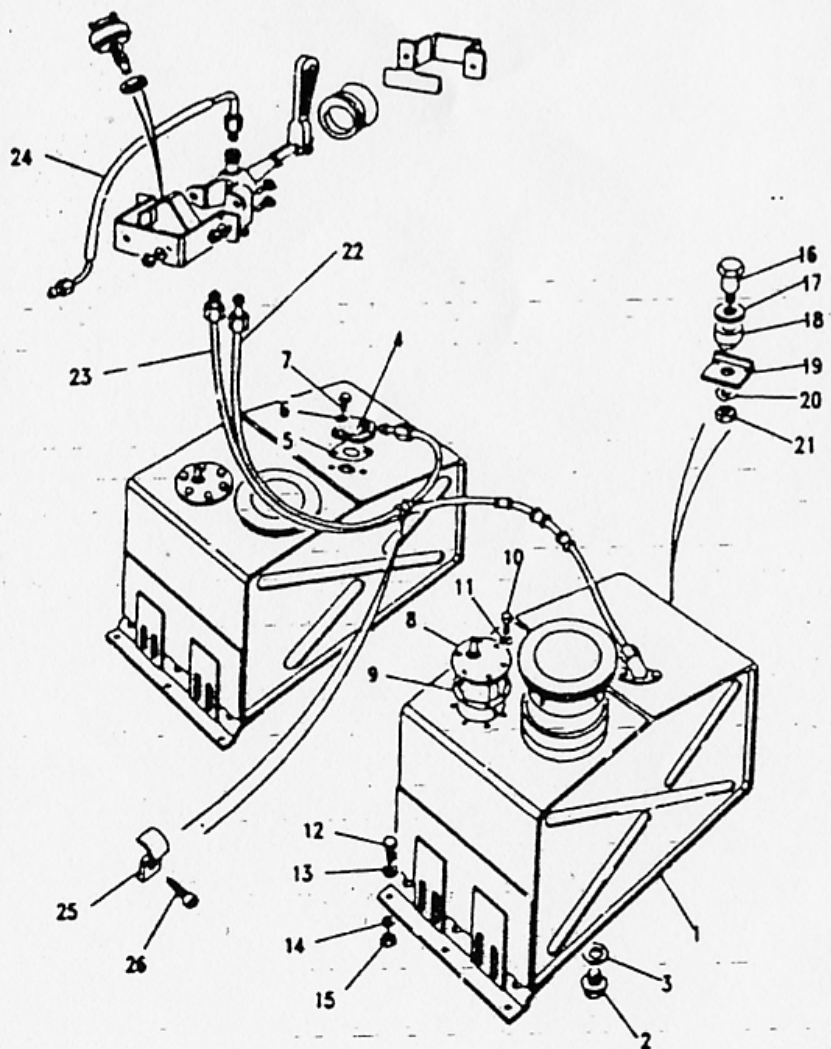
MILITARY VEHICLE

fiche1
K3

FUEL SYSTEM AND AIR CLEANER

Model MILITARY VEHICLE
Page YWJXAA1A

FUEL SYSTEM - TANKS AND FITTINGS



Ill. Part No.	Description	Qty	Remarks
25 216708	Clip fuel pipes to	2	Sidemembers
26 78322	Drive screw clip to	1	Chassis
BAU1689	Clip	1)Pipe tap to
255206	Screw 1/4"unf x 5/8"	1)pump to no.3
WM600041L	Washer spring	1)crossmember
NH604041L	Nut 1/4"unf	1)
PRC2685	Cable fuel c/o switch to	1	From Oct.1960
	Main harness		
RTC222	Cleat cable to toe box	1	

- Note(1) 24Volt sender unit to be used with 24Volt gauge (552615) part of capillary 24Volt grouped instrument panel.
- Note(2) Applicable to all 12Volt vehicles and 24Volt vehicles from the introduction of electrical type grouped instrument panel (PRC1777)



MILITARY VEHICLE

fiche1
L1

EXHAUST SYSTEM

MASTER INDEX

INTRODUCTION AND ALPHABETICAL INDEX	1	PAGES
ENGINE	1	ROW B
GEARBOX	1	ROW C - D
TRANSFER BOX	1	ROW E
AXLES AND SUSPENSION	1	ROW F
STEERING	1	ROW G
VEHICLE AND ENGINE CONTROLS	1	ROW H
BRAKES	1	ROW I
FUEL SYSTEM AND AIR CLEANER	1	ROW J
EXHAUST SYSTEM	1	ROW K
COOLING/HEATING	1	ROW L
BODY ELECTRICAL	1	ROW M
INTRODUCTION AND ALPHABETICAL INDEX	1	ROW N - O
BODY AND CHASSIS	2	ROW B
SEATS	2	ROW C - D
STOWAGE	2	ROW E
MISCELLANEOUS - PAINTS ETC	2	ROW F
NUMERICAL INDEX	2	ROW G
NEW PARTS TO FICHE	2	ROW H

GROUP K

EXHAUST SYSTEM

EXHAUST SYSTEM
EXHAUST SYSTEM

1 L2



LAND ROVER
PARTS LTD



MILITARY VEHICLE

fiche1
L2

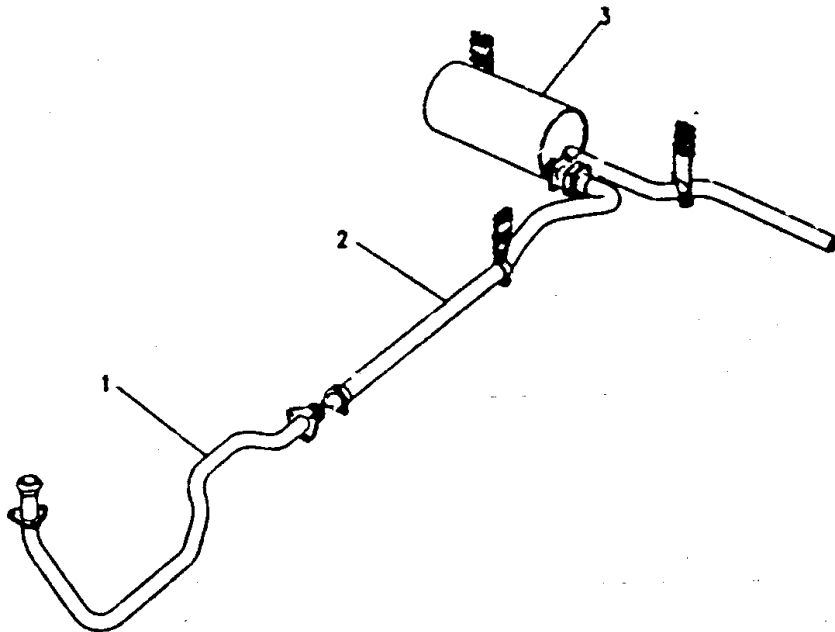
EXHAUST SYSTEM

Model MILITARY VEHICLE
Page YWXXXXA1A

EXHAUST SYSTEM

M. Part No.	Description	Qty	Remarks
1 517469	Pipe exhaust front	1	
2 264195	Pipe exhaust intermediate	1	
3 90569118	Silencer complete	1	RH stg
526735	Silencer complete	1	LH stg

Note(1) LH stg Silencer illustrated





MILITARY VEHICLE

fiche1
M1

COOLING/HEATING

MASTER INDEX

INTRODUCTION AND ALPHABETICAL INDEX	1	ROW B
ENGINE	1	ROW C - D
GEARBOX	1	ROW E
TRANSFER BOX	1	ROW F
AXLES AND SUSPENSION	1	ROW G
STEERING	1	ROW H
VEHICLE AND ENGINE CONTROLS	1	ROW I
BRAKES	1	ROW J
FUEL SYSTEM AND AIR CLEANER	1	ROW K
EXHAUST SYSTEM	1	ROW L
COOLING/HEATING	1	ROW M
BODY ELECTRICAL	1	ROW N - O
INTRODUCTION AND ALPHABETICAL INDEX	2	ROW B
BODY AND CHASSIS	2	ROW C - D
SEATS	2	ROW E
STOWAGE	2	ROW F
MISCELLANEOUS - PARTS ETC	2	ROW G
NUMERICAL INDEX	2	ROW H
NEW PARTS TO FICHE	2	ROW H

GROUP L

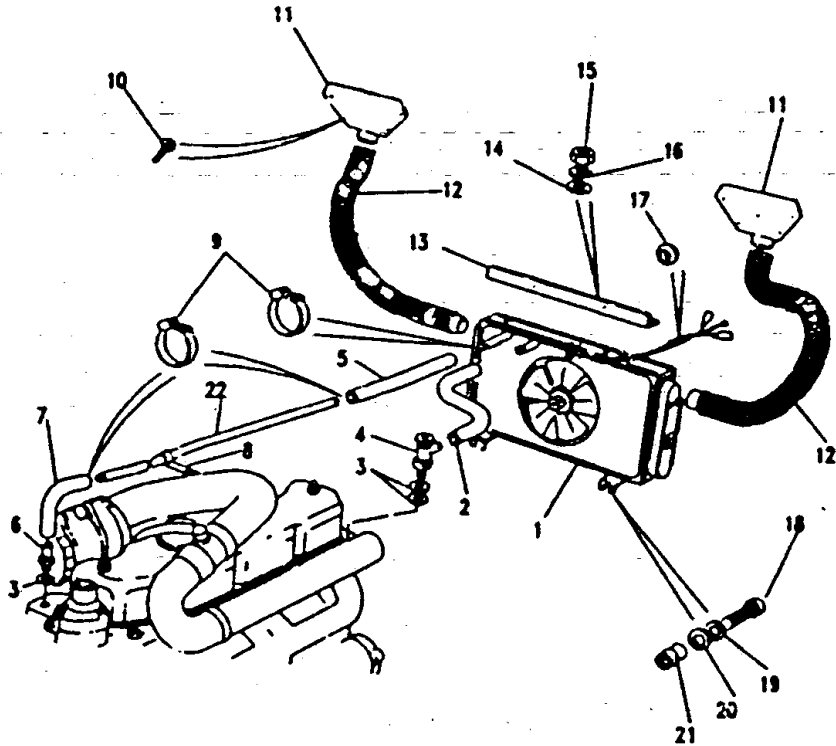
COOLING/HEATING

COOLING/HEATING HEATER

1 M2

Model MILITARY VEHICLE
Page YWLXGA1A

COOLING & HEATING - HEATER



Ill. Part No.	Description	Qty	Remarks
1	MTC3871	1	24 volt
	346225	1	12 volt
2	569329	1	
3	213960	1	
4	88G588L	3	
5	569328	1	
6	564923	1	
	ERC9453	1	
7	569155	1	Metric thread
8	569157	1	
9	CN100258	6	
10	AB606C22L	8	
11	346246	2	
12	345581	2	
13	346359	1	
14	WA106041L	2	
15	NH604041L	2	
16	WM600041L	2	
17	233243	1	
18	78348	2	
19	WM702001L	2	
20	4030	2	
21	79239	2	
22	90577209	1	



MASTER INDEX

INTRODUCTION AND ALPHABETICAL INDEX	1	ROW B
ENGINE	1	ROW C - D
GEARBOX	1	ROW E
TRANSFER BOX	1	ROW F
AXLES AND SUSPENSION	1	ROW G
STEERING	1	ROW H
VEHICLE AND ENGINE CONTROLS	1	ROW I
BRAKES	1	ROW J
FUEL SYSTEM AND AIR CLEANER	1	ROW K
EXHAUST SYSTEM	1	ROW L
COOLING/HEATING	1	ROW M
BODY ELECTRICAL	1	ROW N - O
INTRODUCTION AND ALPHABETICAL INDEX	2	ROW B
BODY AND CHASSIS	2	ROW C - D
SEATS	2	ROW E
STOWAGE	2	ROW F
MISCELLANEOUS - PAINTS ETC	2	ROW G
NUMERICAL INDEX	2	ROW H
NEW PARTS TO FICHE	2	ROW H

GROUP M

BODY ELECTRICAL

BODY ELECTRICAL	
HEADLAMP VERTICAL DIP	1 N2
HEADLAMP SIDE DIP	1 N3
LAMPS FRONT AND REAR	1 N4 - N5
BATTERIES VEHICLE 24VOLT	1 N6
BATTERY BO. (UP TO SEPT 79) 24VOLT	1 N7
BATTERY BOX (SEPT 79 ONWARDS) 24VOLT	1 N8
HARNESS - MAIN - RH STG	1 N9
HARNESS - MAIN - LH STG	1 N10
HARNESS - CHASSIS	1 N11
HARNESS - ENGINE	1 N12
GENERATOR PANEL 24VOLT	1 N13
SHUNT BOX 24VOLT	1 N14
BONDING LEADS 24 VOLT	1 N15
CHARGING SYSTEM 24 VOLT (FROM 1978)	1 N16
SWITCH HEADLAMP DIP/INDICATOR & HORN	1 N17
SWITCH PANEL MAIN	1 N18 - O2
SWITCH 6 WAY LIGHTING	1 O3
SWITCH STARTER	1 O4
RELAYS	1 O5
HORN 24VOLT	1 O6
INSTRUMENT PANEL GROUPED (UP TO 1979)	1 O7
INSTRUMENT PANEL GROUPED (FROM 1979)	1 O8
SPEEDOMETER	1 O9
AMMETERS 24 VOLT (UP TO 1978)	1 O10
WINDSCREEN WIPER MOTOR	1 O11
WINDSCREEN WASHERS	1 O12

Model MILITARY VEHICLE

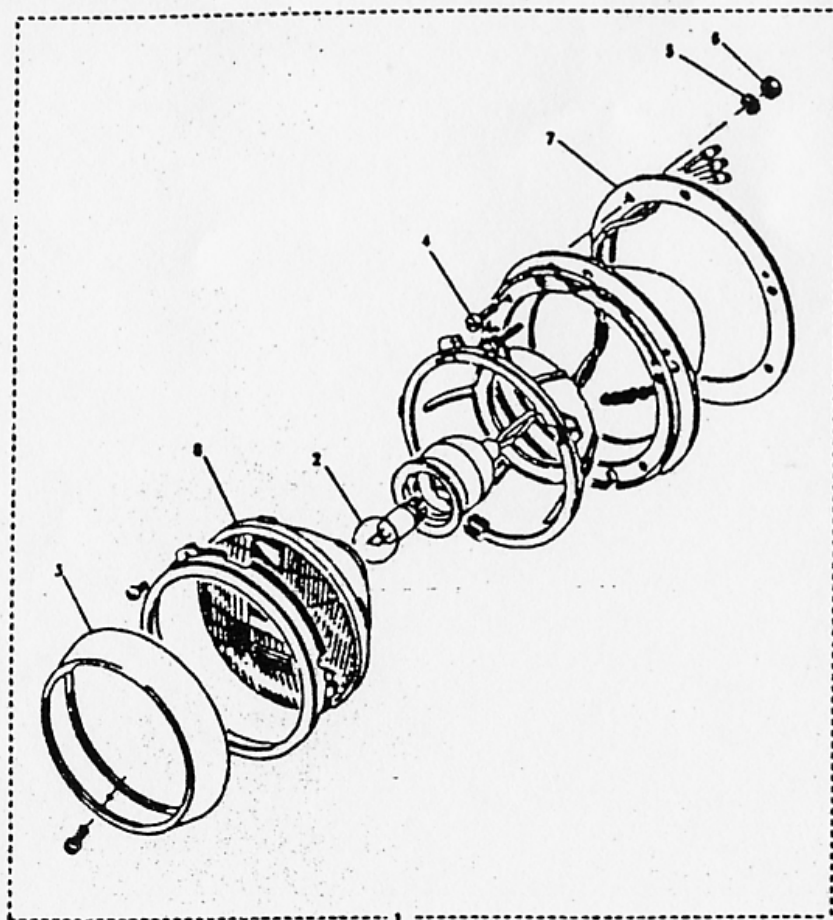
Page YWMXAA1A

ELECTRICAL - HEADLAMP VERTICAL DIP

Ill. Part No.	Description	Qty	Remarks
1 514774	Headlamp assembly	2	NLA
2 514775	Bulb headlamp	2	24 Volt
585233	Bulb headlamp	2	12 Volt
3 264581	Rim headlamp	2	NLA
4 78348	Screw 10unf x 1/2"	6	
5 WM702001L	Washer spring	6	
6 HN2005L	Nut 10unf	6	
7 531586	Gasket	2	
8 AEL4126	Light unit	2	

Note(1)

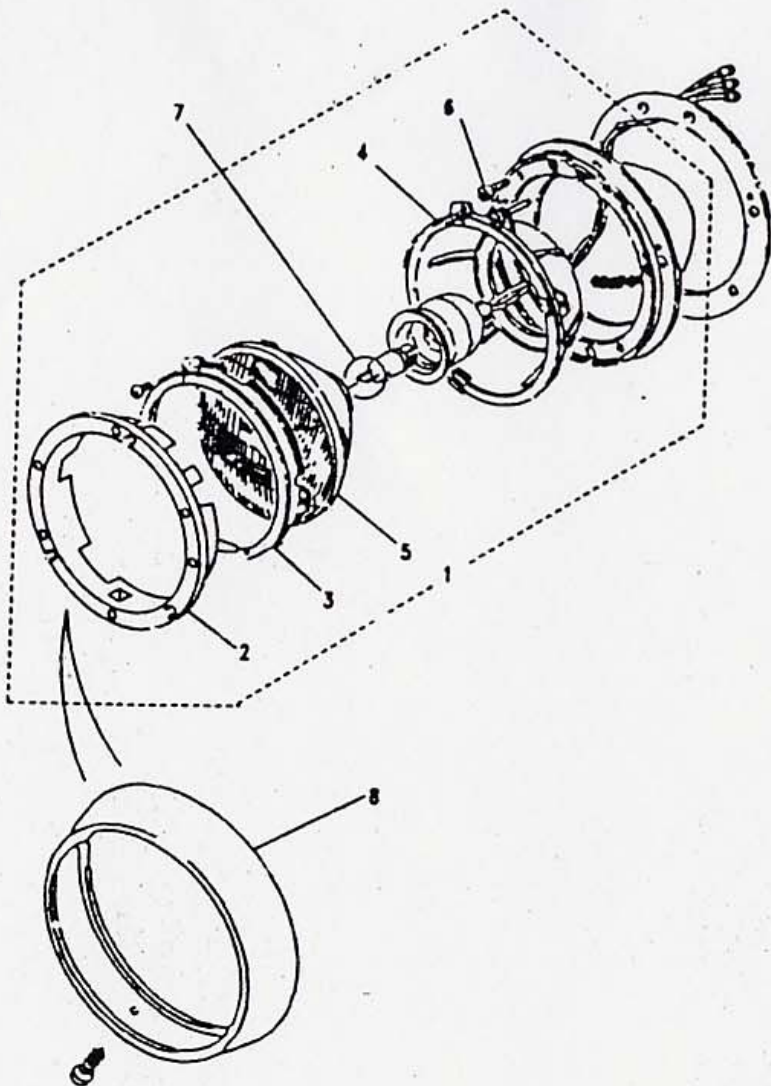
Vertical dip headlamp fitted up to May 1982



Model MILITARY VEHICLE

Page YWMXAA2A

ELECTRICAL - HEADLAMP SIDE DIP

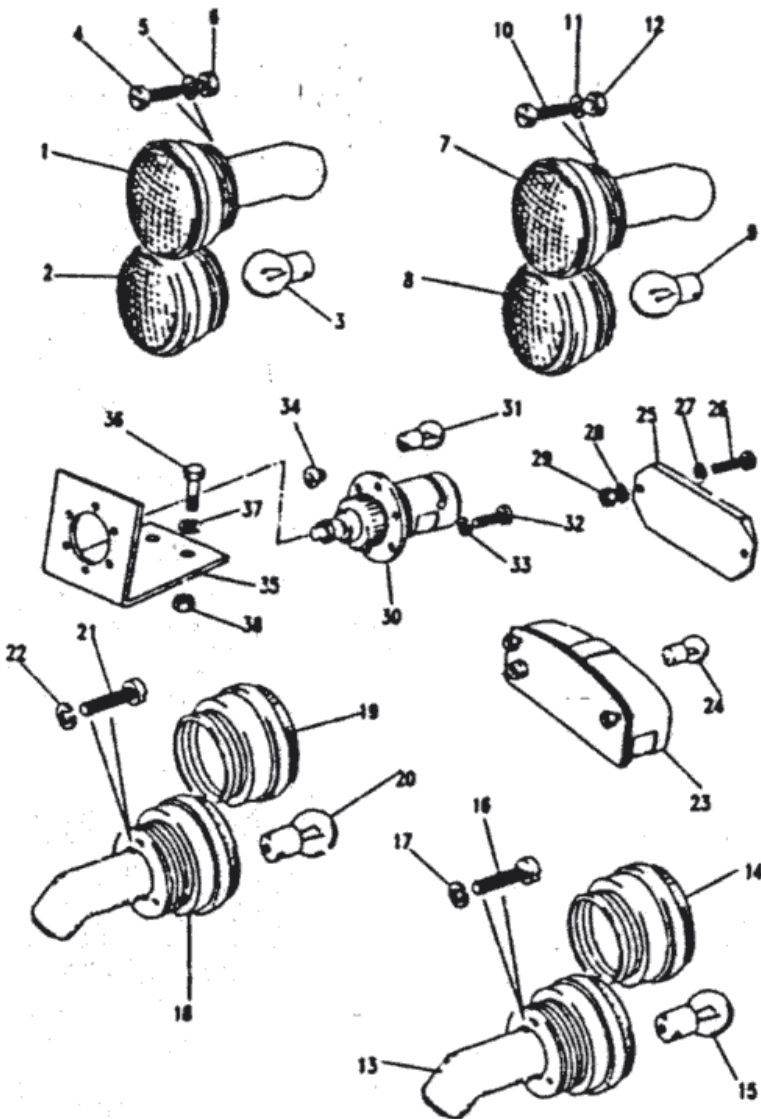


Il. Part No.	Description	Qty	Remarks
1 AEU2466	Headlamp assy less bulb	2	RH stg
AEU2465	Headlamp assy less bulb	2	LH stg
2 600842	Rim mask	2	
3 600843	Plate retain light unit	2	
4 17H5205	Rim seating light unit	2	
5 AEU2517	Light unit	2	RH stg
RTC3684	Light unit	2	LH stg
6 600851	Screws trimmer	6	
7 547023	Bulb headlamp	2	24 volt
505197	Bulb headlamp	2	12 volt
8 264581	Rim headlamp	2	NLA

Note(1) Side dip headlamp fitted from May 1982

Model MILITARY VEHICLE
Page YWMXAC1A

ELECTRICAL - LAMPS FRONT AND REAR



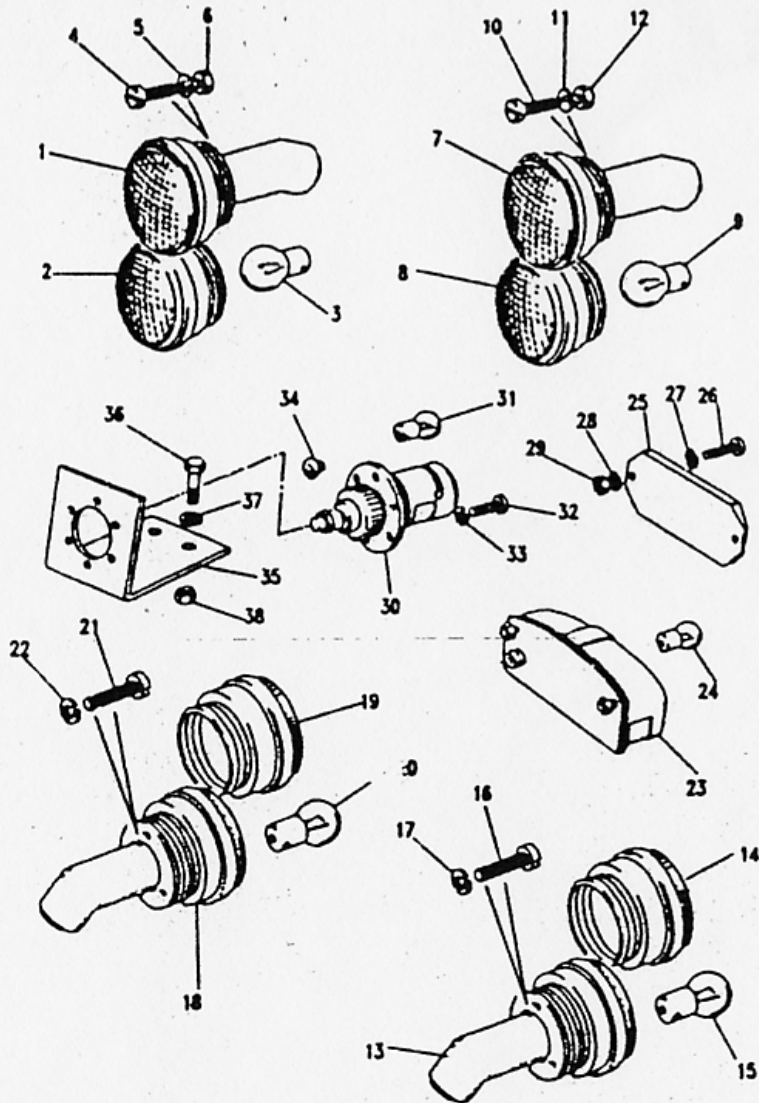
Ill. Part No.	Description	Qty	Remarks
1 AEU1374	Sidelamp less bulb	2	
2 AEU1375	Lens for sidelamp	2	
RTC1931	Sidelamp less bulb	2	Note(1)
800855	Lens for sidelamp	2	Note(1)
3 90608485	Bulb for sidelamp	2	24Volt
10211	Bulb for sidelamp	2	12Volt
4 77701	Screw 4ba x 3/8"	6	
5 WM704001L	Washer spring	6	
6 4023	Nut	6	
7 RTC1885	Front flasher lamp	2	Less bulb
8 RTC1843	Lens front flasher lamp	2	
9 589973	Bulb for flasher lamp	2	24Volt
264591	Bulb for flasher lamp	2	12Volt
10 77701	Screw 4ba x 3/8"	6	
11 WM704001L	Washer spring	6	
12 4023	Nut	6	
13 RTC1919	Stop/tail lamp less bulb	2	
14 AAU1079	Lens for stop/tail lamp	2	
RTC1919	Stop/tail lamp less bulb	2	Note(1)
AAU1079	Lens for stop/tail lamp	2	Note(1)
15 510817	Bulb for stop/tail lamp	2	24Volt
264590	Bulb for stop/tail lamp	2	12Volt
16 AB606031L	Drive screw no.4 x 3/8"	6	
17 WA703081L	Washer plain	6	
18 RTC1886	Rr flasher lamp less bulb	2	
19 RTC1844	Lens for rr flasher lamp	2	
20 589973	Bulb for flasher lamp	2	24Volt
264591	Bulb for flasher lamp	2	12Volt
21 AB606031L	Drive screw no.4 x 3/8"	6	
22 WA703081L	Washer plain	6	
23 AEU1852	Rr number plate lamp c/w	1	Fixings
24 547136	Bulb number plate lamp	1	24Volt
570822	Bulb number plate lamp	1	12Volt
25 589677	Red reflector	2	

Model MILITARY VEHICLE
 Page YWMXAC1A

ELECTRICAL - LAMPS FRONT AND REAR

Ill. Part No.	Description	Qty	Remarks
28 78599	Screw 4ba x 1/2"	4	NLA
27 4203	Washer plain	4	NLA
28 WM704001L	Washer spring	4	
29 4023	Nut	4	
30 RTC4771	Convoy lamp	1	
31 90608485	Bulb convoy lamp	1	24Volt
575312	Bulb convoy lamp	1	12Volt
560550	Lead convoy lamp	1	
32 77701	Screw 4ba x 3/8"	3	
33 WM704001L	Washer spring	3	
34 536126	Sealing gland	1	
35 268589	Bracket for convoy lamp	1	
36 255206	Bolt 1/4unf x 5/8"	2	
37 WF800041L	Shakeproof washer	2	
38 NH604041L	Nut	2	
RTC2665	Fog lamp rear guard	2	
RTC2666	Lens	2	
589973	Bulb fog lamp	2	24Volt
264591	Bulb fog lamp	2	12Volt

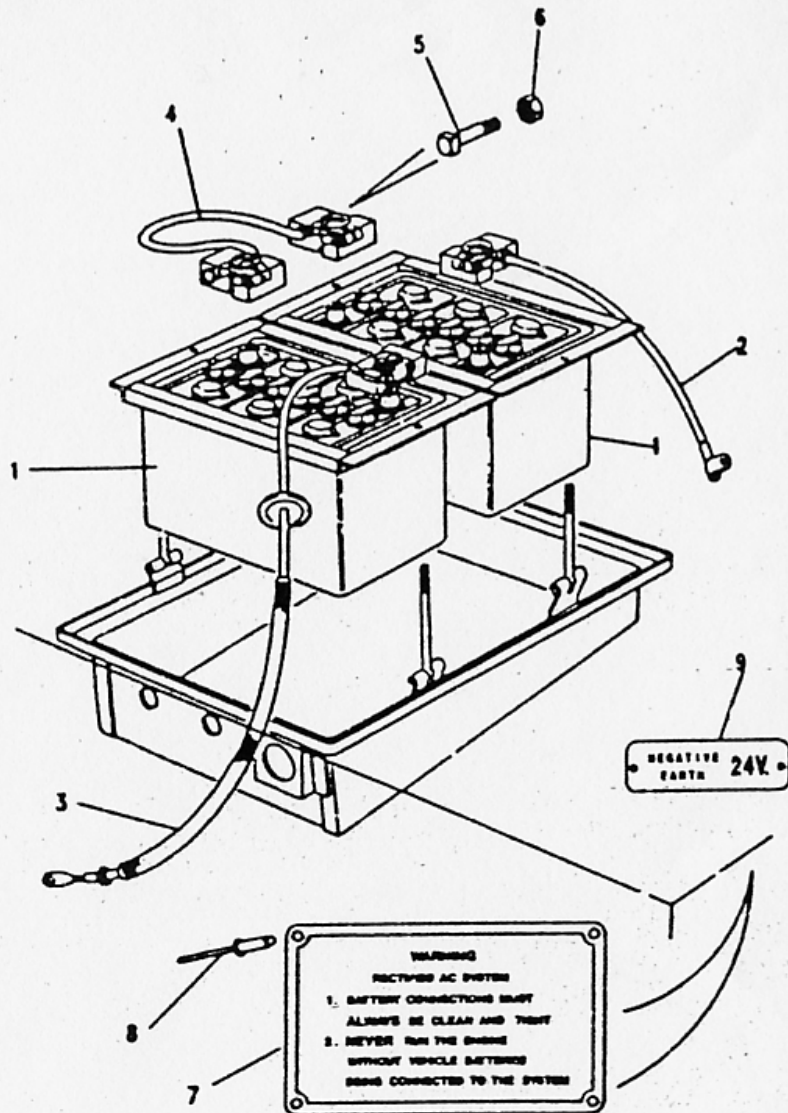
Note(1) Early type conical shaped lamps.



Model MILITARY VEHICLE
Page YWMXCA1A

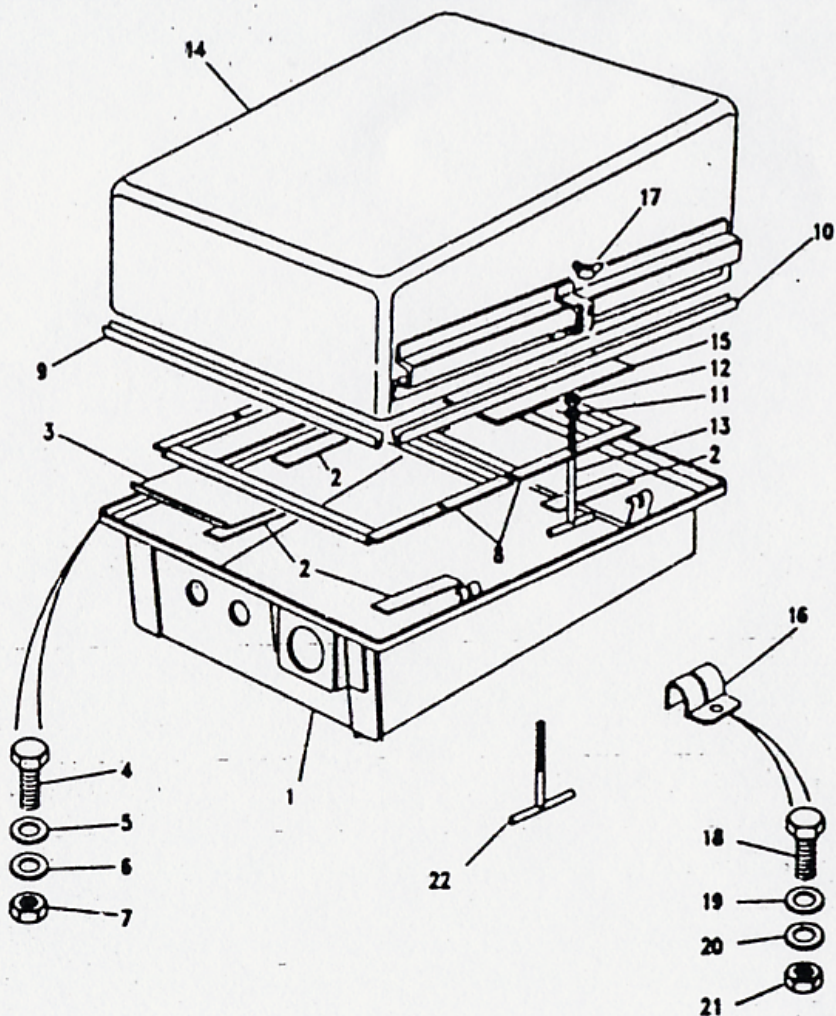
BODY ELECTRICAL - BATTERIES VEHICLE 24VOLT

Ill. Part No.	Description	Qty	Remarks
1	STC8270	2	Battery dry charged
2	90500921	1	Heavy cable battery to earth
3	560788	1	Heavy cable battery to solenoid
4	560787	1	Heavy cable battery link
5	12755	4	Bolt
6	12756	4	Nut
7	336441	2	Warning inscription plate
8	78390	8	Pop rivet plate to seat base ends
9	598701	1	Warning plate neg earth



Model MILITARY VEHICLE
Page YWMXCA2A

BODY ELECTRICAL - BATTERY BOX (UP TO SEPT 79) 24VOLT



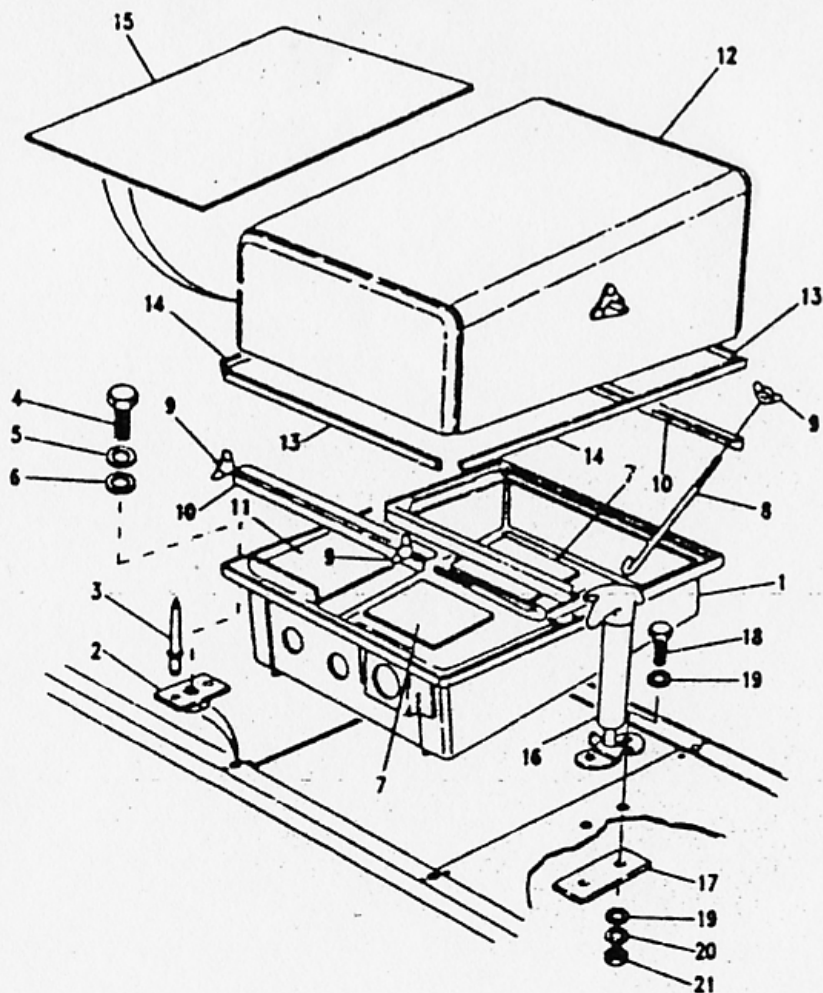
Pl. Part No.	Description	Qty	Remarks
1	346080	1	Battery box
2	334242	4	Pad battery box
3	346035	1	Transfer box access cover
4	SH604061L	6	Set bolt 1/4unf x 5/8"
5	WA106041L	6	Washer plain
6	WM600041L	6	Washer spring
7	NH604041L	6	Nut 1/4unf
8	334154	2	Battery clamping frame
9	MFC2201	2	Sealing strip 12.1/2"
10	MFC2202	2	Sealing strip 15.1/2"
11	2878	4	Washer plain
12	NH604041L	4	Nut 1/4unf
13	345539	4	T bolt battery clamping
14	348015	1	Battery cover
15	348060	1	Insulation battery cover
16	398058	2	Bracket clamping bolt
17	252180	2	Wingnut
18	255208	2	Bolt 1/4unf x 5/8"
19	WA106041L	2	Washer plain
20	WM600041L	2	Washer spring
21	NH604041L	2	Nut 1/4unf
22	334151	2	Clamping bolt batt.cover

Model MILITARY VEHICLE

Page YWMXCA3A

BODY ELECTRICAL - BATTERY BOX (SEPT 79 ONWARDS) 24VOLT

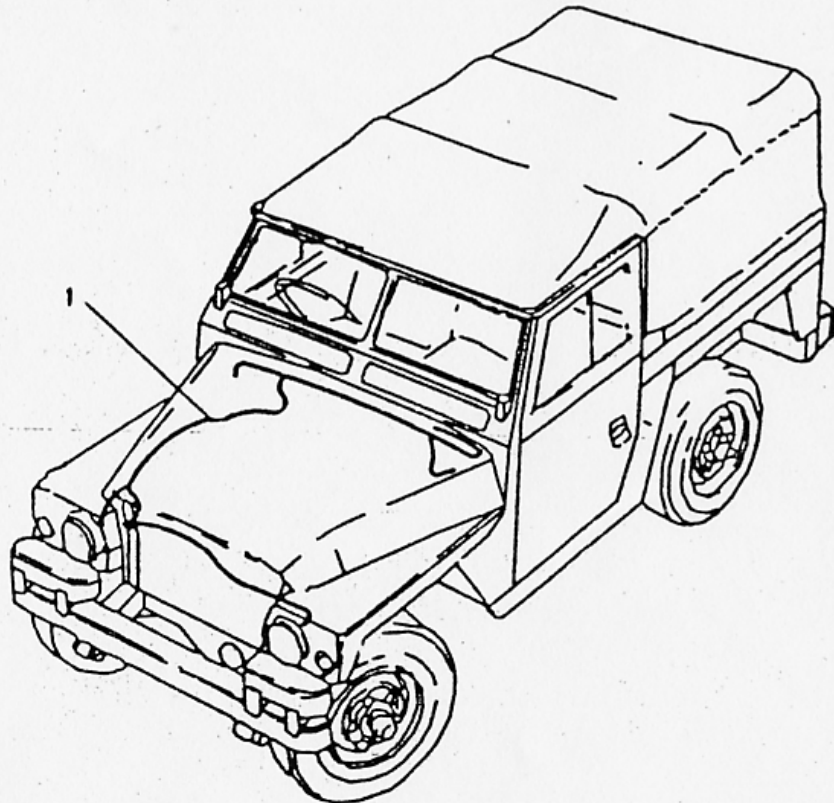
ML Part No.	Description	Qty	Remarks
1	MRC2977	1	Battery box
2	348075	8) Battery box
3	78788	12) seatbase
4	SH804061L	6)
5	WM600041L	6)
6	WA108041L	6)
7	334242	4	Insulation pad batt.box
8	MRC7133	4) Battery clamp
9	252180	4)
10	396064	2)
11	346035	1	Cover plate 1/box access
12	MRC8573	1	Battery cover
13	MRC2201	2) Battery cover
14	MRC2202	2)
15	348090	2)
16	MRC5314	2)
17	MRC8093	2) Quick release
18	FS106201	4) catch to
19	WA108041L	8) seatbase
20	WL106001L	4)
21	NY108041L	4)



Model MILITARY VEHICLE
Page YWMXCC1A

BODY ELECTRICS - HARNESS - MAIN - RH STG

ML Part No.	Description	Qty	Remarks
1 589729	Harness main RH Stg	1	Note(1)
589858	Harness main RH stg	1	Note(2)
PRC1784	Harness main RH stg	1	Note(3)
PRC2892	Harness main RH stg	1	Note(4)



Note(1) Applicable to 12 volt vehicle contracts WV10787, WV10828, Applicable to 24 volt vehicle contracts WV10775, WV10998, WV11075, WV11139, WV10998

Note(2) Applicable to 12 volt vehicle contracts WV10999, WV11077, WV11140, WV11147, WV11367, WV11439, WV11572, WV11581, WV11700, WV11733, WV11765, WV11872, WV11974, WV12040, WV12125, FVE22A/39, FVE22A/40 Applicable to 24 volt vehicle contracts WV11131, WV11368, WV11378, WV11290, WV11404, WV11430, WV11701, WV11708, WV11768, WV11894, WV11916, WV12086, FVE22A/8, FVE22A/24, FVE22A/25, FVE22A/45.

Note(3) Applicable to 12 volt vehicle contracts FVE22A/78, FVE22A/87, FVE22A/95, FVE22A/97, FVE22A/115 Except Item 24. Applicable to 24 volt vehicle contracts FVE22A/73, FVE22A/87, FVE22A/95, FVE22A/115 Item 8 only

Note(4) Applicable to 12 volt vehicle contracts FVE22A/115 Item 24 FVE21B/229, FVE21B/244, FVE22A/225, FVE22A/240, FVE22A/251 Applicable to 24 volt vehicle contracts FVE21B/229, FVE22A/115, FVE22A/227, FVE22A/251.

Model MILITARY VEHICLE

Page YWMXCC2A

BODY ELECTRICS - HARNESS - MAIN - LH STG

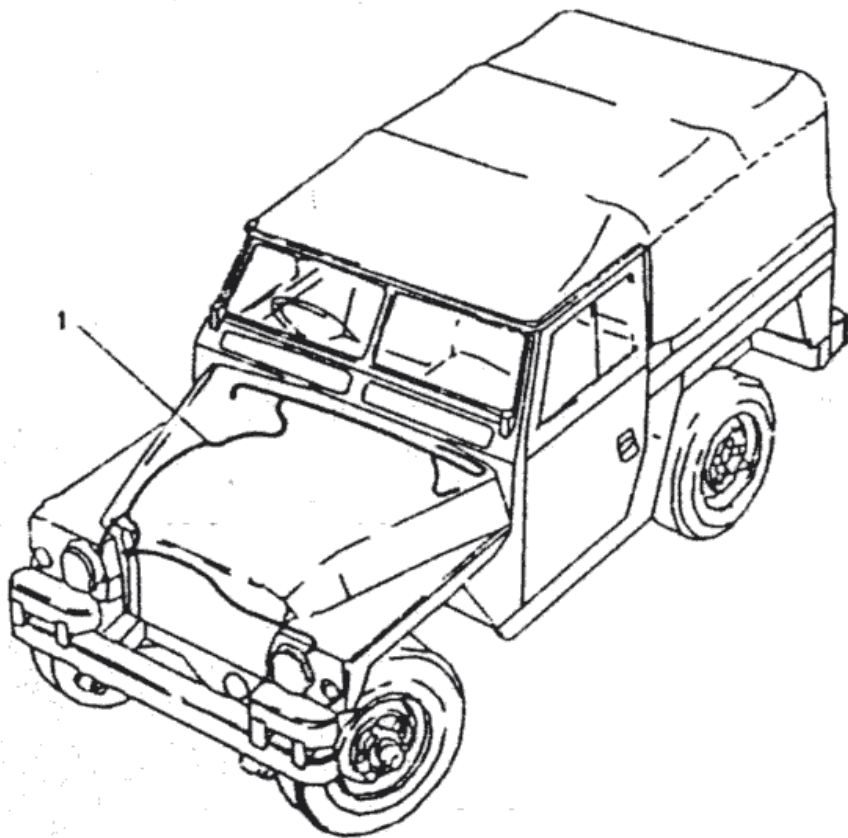
ML Part No.	Description	Qty	Remarks
1 589730	Harness main LH stg	1	Note(1)
589857	Harness main LH stg	1	Note(2)
PRC1785	Harness main LH stg	1	Note(3)
PRC2983	Harness main LH stg	1	Note(4)

Note(1) Applicable to 12 volt vehicle contracts WV10787, WV10828, WV11139
Applicable to 24 volt vehicle contracts WV10775, WV11139

Note(2) Applicable to 12 volt vehicle contracts WV11147, WV11140, WV11367, WV11439, WV11581, WV11700, WV11733, WV11872, FVE22A/39, FVE22A/40. Applicable to 24 volt vehicle contracts WV11131, WV11404, WV11430, WV11701, WV11708, WV11874, WV11894, WV11918, WV12036, FVE22A/9, FVE22A/24, FVE22A/46.

Note(3) Applicable to 12 volt vehicle contracts FVE22A/87, FVE22A/95, FVE22A/97, FVE22A/115 Except Item 24. Applicable to 24 volt vehicle contracts FVE22A/73, FVE22A/87, FVE22A/95.

Note(4) Applicable to 12 volt vehicle contracts FVE21B/244, FVE22A/251.
Applicable to 24Volt vehicle contracts FVE22A/115, FVE22A/240, FVE22A/251.





Model MILITARY VEHICLE

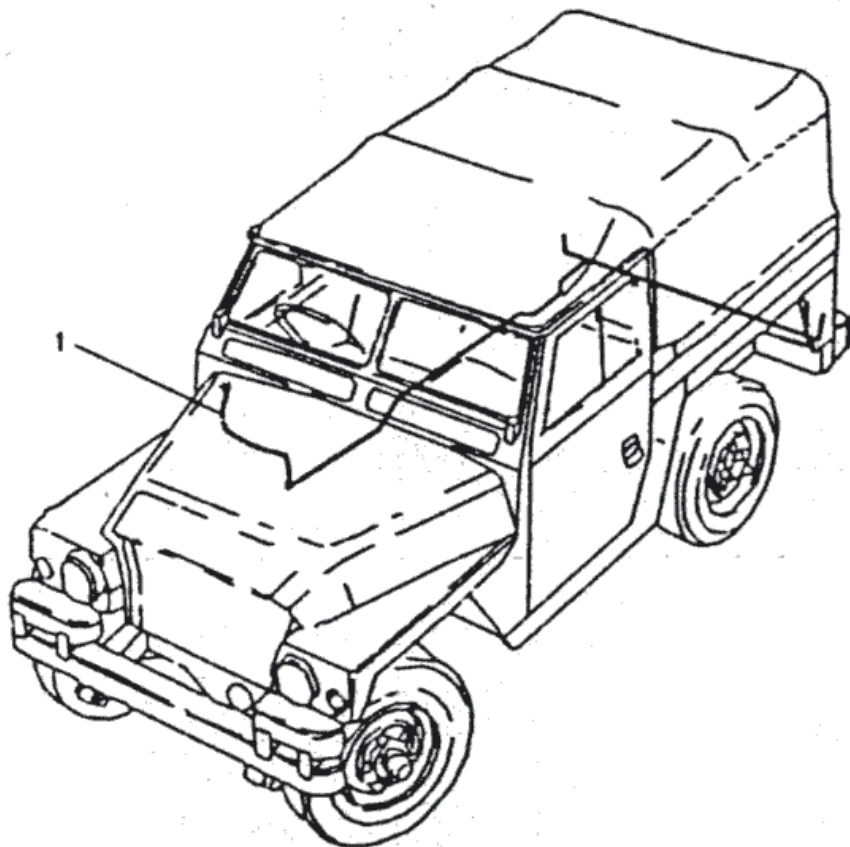
Page YWMXCE1A

BODY ELECTRICS - HARNESS - CHASSIS

Ill. Part No.	Description	Qty	Remarks
1 PRC2584	Harness chassis	1	Note(1)
PRC2694	Harness chassis	1	Note(2)

Note(1) Applicable to all vehicle contracts up to the introduction of rear guard fog lamps (Oct.1980)

Note(2) Applicable to vehicle contracts from the introduction of rear guard fog lamps (Oct.1980)





MILITARY VEHICLE

fiche1
N12

BODY ELECTRICAL

Model MILITARY VEHICLE

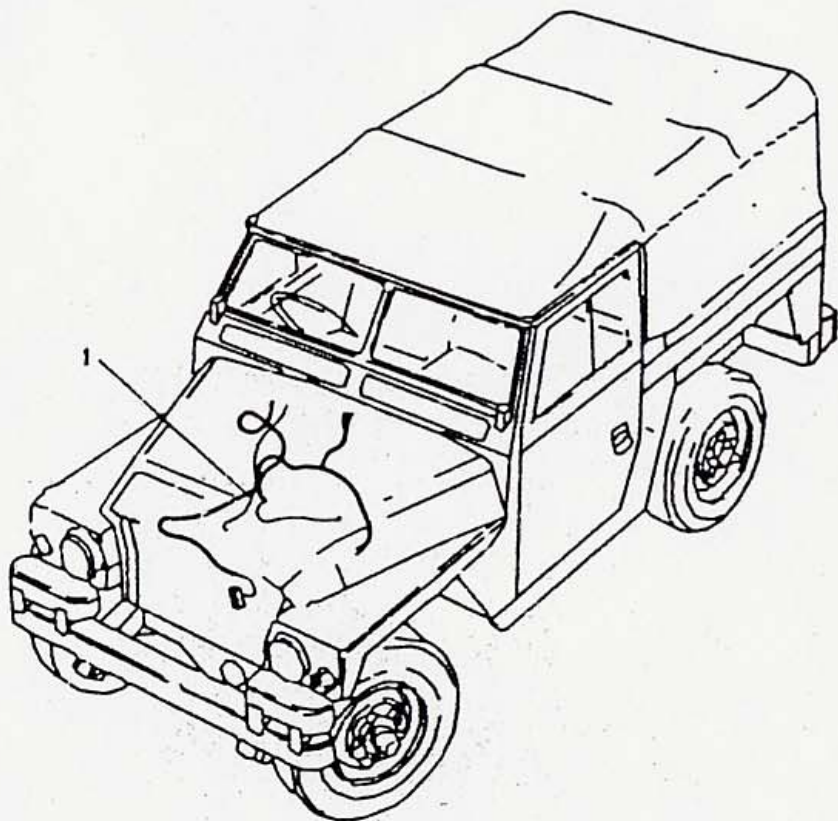
Page YWMXCF1A

BODY ELECTRICS - HARNESS - ENGINE

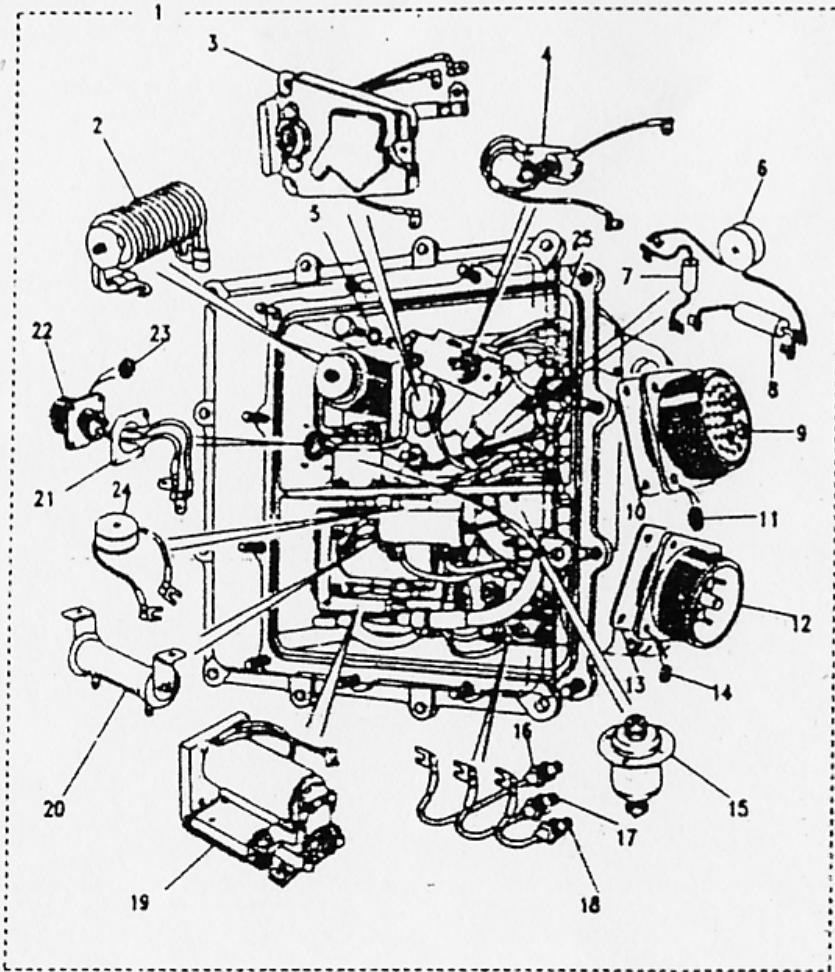
Bl. Part No.	Description	Qty	Remarks
1 579498	Harness engine	1	Note(1)
623090	Harness engine	1	Note(2)

Note(1) Applicable to 12 volt vehicle contracts WV10787 to WV11581 inclusive and 24 volt vehicle contracts WV10775 to WV11131 inclusive

Note(2) Applicable to 12 volt vehicle contracts WV11700 onwards and 24 volt vehicle contracts WV11368 onwards.



Model MILITARY VEHICLE
 Page YWMXC1A

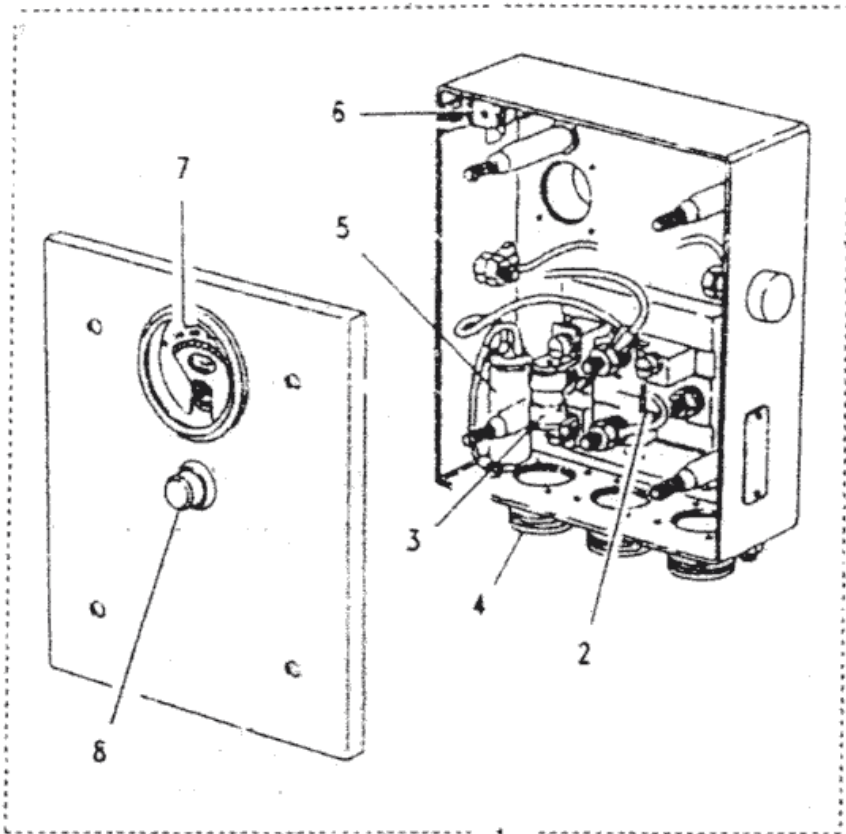
BODY ELECTRICS - GENERATOR PANEL 24VOLT


Ill. Part No.	Description	Qty	Remarks
1 551601E	Generator panel	1	(UP TO 1978)
PRC1126	Generator panel	1	(FROM 1978)
2 AEU1957	Choke	1	
3 AEU1961	Regulator	1	
4 ABU1464	Switch	1	
5 601652	Washer	1	NLA
6 AEU1956	Capacitor	1	
7 RTC4842	Capacitor	1	
8 AEU1960	Choke	1	
9 AEU1950	Socket assembly	1	
10 90601663	Gasket	1	NLA
11 AEU1987	Seal for screw fixing socket	4	
12 AEU1951	Plug	1	
13 AEU1970	Gasket	1	
14 AEU1968	Seal for screw fixing plug	4	
15 AEU1973	Capacitor	2	
16 AEU1955	Diode and lead	1	
17 AEU1953	Diode and lead	1	
18 AEU1954	Diode and lead	1	
19 AEU1956	Relay	1	
20 AEU1972	Resistor	1	
21 AEU1971	Gasket	1	
22 AEU1952	Socket	1	NLA
23 AEU1963	Seal for screw fixing socket	4	
24 AEU1974	Choke	1	
25 901670	Sealing ring	1	

Model MILITARY VEHICLE

Page YWMXC12A

BODY ELECTRICS - SHUNT BOX 24VOLT



Ill. Part No.	Description	Qty.	Remarks
1	PRC1423	1	(UP TO 1978)
	PRC1888	1	(FROM 1978)
2	AEU1986	1	
3	589151	1	
4	AEU1988	5	
5	PRC1424	2	
6	589151	1	
7	PRC2819	1	
8	AEU1991	1	
	MRC5364	2	
	FS106161	4)Bracket
	WA108041L	4)to
	NH104041L	4)bulkhead
	WL106001L	4)



MILITARY VEHICLE

fiche1
N15

BODY ELECTRICAL

Model MILITARY VEHICLE

Page YWMXC13A

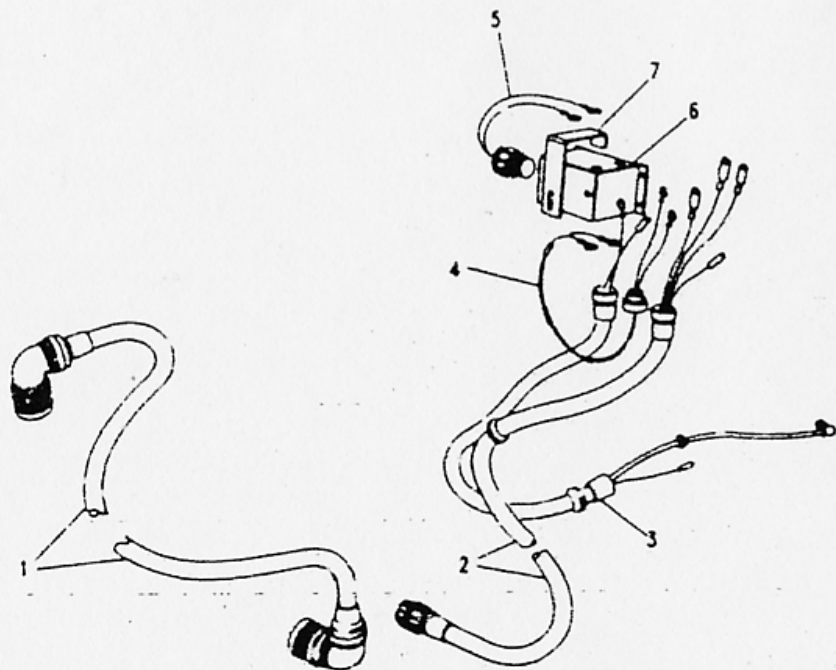
BODY ELECTRICS - BONDING LEADS 24 VOLT

Ill. Part No.	Description	Qty	Remarks
1 575448	Lead bonding shunt box to seat base	1	
2 552604	Lead bonding seat base to chassis	2	
3 552632	Lead bonding generator panel to mounting bracket	1	
4 552632	Lead bonding bonnet to dash	2	
5 575048	Lead bonding bonnet to instrument box LH	1	
6 560518	Lead bonding bonnet to instrument box RH	1	
7 575185	Lead bonding on LH toebox	1	
8 531598	Lead bonding on exhaust tailpipe	1	
9 575184	Lead starter motor to earth	1	
10 560548	Lead starter solenoid to earth	1	
11 552631	Lead bonding battery box to chassis	1	
12 552628	Lead bonding gearbox to chassis	1	

Model MILITARY VEHICLE
Page YWMXC14A

BODY ELECTRICS - CHARGING SYSTEM 24 VOLT (FROM 1978)

III. Part No.	Description	Qty	Remarks
1 PRC1765	Cable alternator to generator panel	1	
2 PRC1180	Cable generator panel to shunt box	1	
3 PRC1193	Cable shunt box to battery/main harness	1	
4 PRC1202	Cable shunt box to terminal box	1	
5 PRC1190	Cable terminal box to amphenol plug	1	NLA
6 MRC1905	Box terminal/amphenol socket	1	
7 MRC1944	Keeper plate terminal box	1	





MILITARY VEHICLE

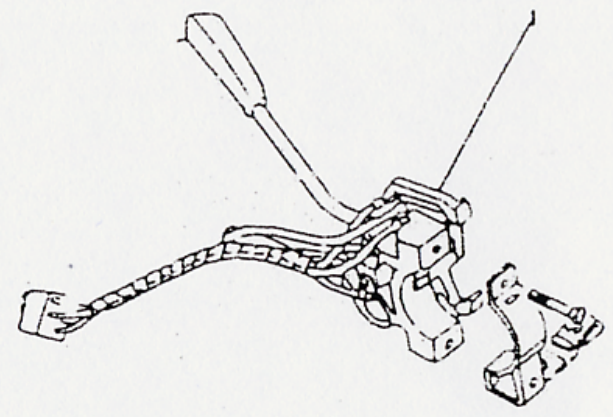
fiche1
N17

BODY ELECTRICAL

Model MILITARY VEHICLE
Page YWMXE1A

BODY ELECTRICAL - SWITCH HEADLAMP DIP/INDICATOR & HORN

HL Part No.	Description	Qty	Remarks
1 PRC2397	Switch headlamp dip/ indicator & horn	1	





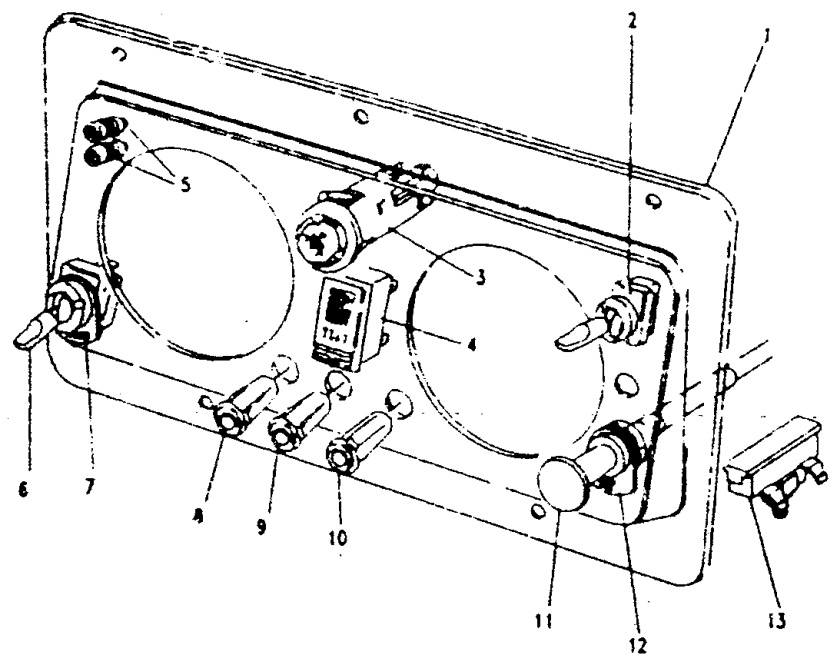
MILITARY VEHICLE

fiche1
N18

BODY ELECTRICAL

Model MILITARY VEHICLE
Page YWMXEA2A

BODY ELECTRICAL - SWITCH PANEL MAIN



QTY	Part No.	Description	QTY	Remarks
1	347774	Panel main switch	1	Note (1)
	MRC8014	Panel main switch	1	
2	RTC430	Switch panel light	1	
3	579225	Switch hazard warning	1	
	575221	Bulb hazard warning	1	24 volt
	503352	switch	1	12 volt
4	589266	Bulb hazard warning switch	1	12 volt
	RTC1527	Switch brake warning	1	24 volt
	589169	light/test button	1	
	GLB280	Bulb switch	1	24 volt
5	RTC4784	Switch brake warning	1	12 volt
	PRC1526	light/test button	1	
	GLB280	Bulb switch	1	12 volt
	RTC4784	Socket inspection lamp	1	
	PRC1526	Socket inspection lamp	1	
	PRC1526	(black)	1	
	PRC1526	Socket inspection lamp	1	
	PRC1526	(red)	1	
6	1H9077L	Switch heater 2 position	1	
7	560406	Nameplate heater switch	1	
8	55E322	Lens trailer ind warning	1	
	55E322	light	1	
9	STC364	Lens ignition warning	1	
	STC364	light	1	
10	589027	Lens indicator warning	1	
	589027	light	1	
	575221	Bulb warning lights	3	24 volt
	503352	Bulb warning lights	3	12 volt
	500918	Bulb instruments	5	24 volt
	232597	Bulb instruments	5	12 volt
11	552682	Cold start control	1	
	552682	carburettor	1	
	516962	Clip control cable	1	
12	563411	Nameplate cold start	1	





MILITARY VEHICLE

fiche1
01

BODY ELECTRICAL

MASTER INDEX

	PAGES
INTRODUCTION AND ALPHABETICAL INDEX	1 ROW B
ENGINE	1 ROW C - D
GEARBOX	1 ROW E
TRANSFER BOX	1 ROW F
AXLES AND SUSPENSION	1 ROW G
STEERING	1 ROW H
VEHICLE AND ENGINE CONTROLS	1 ROW I
BRAKES	1 ROW J
FUEL SYSTEM AND AIR CLEANER	1 ROW K
EXHAUST SYSTEM	1 ROW L
COOLING/HEATING	1 ROW M
BODY ELECTRICAL	1 ROW N - O
INTRODUCTION AND ALPHABETICAL INDEX	2 ROW B
BODY AND CHASSIS	2 ROW C - D
SEATS	2 ROW E
STOWAGE	2 ROW F
MISCELLANEOUS - PAINTS ETC	2 ROW G
NUMERICAL INDEX	2 ROW H
NEW PARTS TO FICHE	2 ROW H

GROUP M

BODY ELECTRICAL

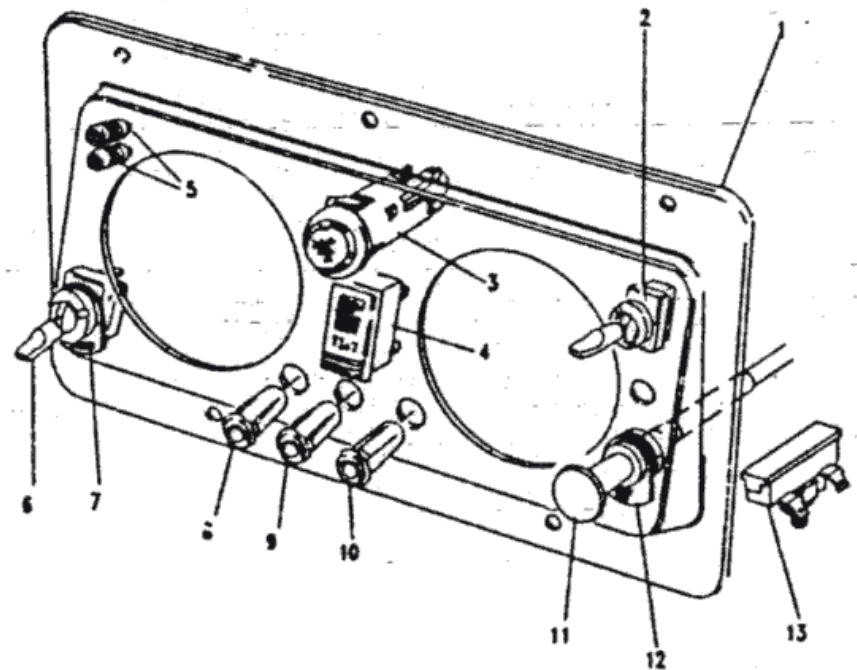
3ODY ELECTRICAL	
HEADLAMP VERTICAL DIP	1 N2
HEADLAMP SIDE DIP	1 N3
LAMPS FRONT AND REAR	1 N4 - N5
BATTERIES VEHICLE 24VOLT	1 N6
BATTERY BOX (UP TO SEPT 79) 24VOLT	1 N7
BATTERY BOX (SEPT 79 ONWARDS) 24VOLT	1 N8
HARNESS - MAIN - RH STG	1 N9
HARNESS - MAIN - LH STG	1 N10
HARNESS - CHASSIS	1 N11
HARNESS - ENGINE	1 N12
GENERATOR PANEL 24VOLT	1 N13
SHUNT BOX 24VOLT	1 N14
BONDING LEADS 24 VOLT	1 N15
CHARGING SYSTEM 24 VOLT (FROM 1978)	1 N16
SWITCH HEADLAMP DIP/INDICATOR & HORN	1 N17
SWITCH PANEL MAIN	1 N18 - O2
SWITCH 6 WAY LIGHTING	1 O3
SWITCH STARTER	1 O4
RELAYS	1 O5
HORN 24VOLT	1 O6
INSTRUMENT PANEL GROUPED (UP TO 1979)	1 O7
INSTRUMENT PANEL GROUPED (FROM 1979)	1 O8
SPEEDOMETER	1 O9
AMMETERS 24 VOLT (UP TO 1978)	1 O10
WINDSCREEN WIPER MOTOR	1 O11
WINDSCREEN WASHERS	1 O12

Model MILITARY VEHICLE
Page YWMXEA2A

BODY ELECTRICAL - SWITCH PANEL MAIN

Part No.	Description	Qty	Remarks
13 RTC5d16	control Switch cold start control	1	
PRC2888	Switch rear fog lamp	1) Note (2)
PRC1492	Lens rear fog warning light	1	
PRC1814	Lens brake warning light	1	

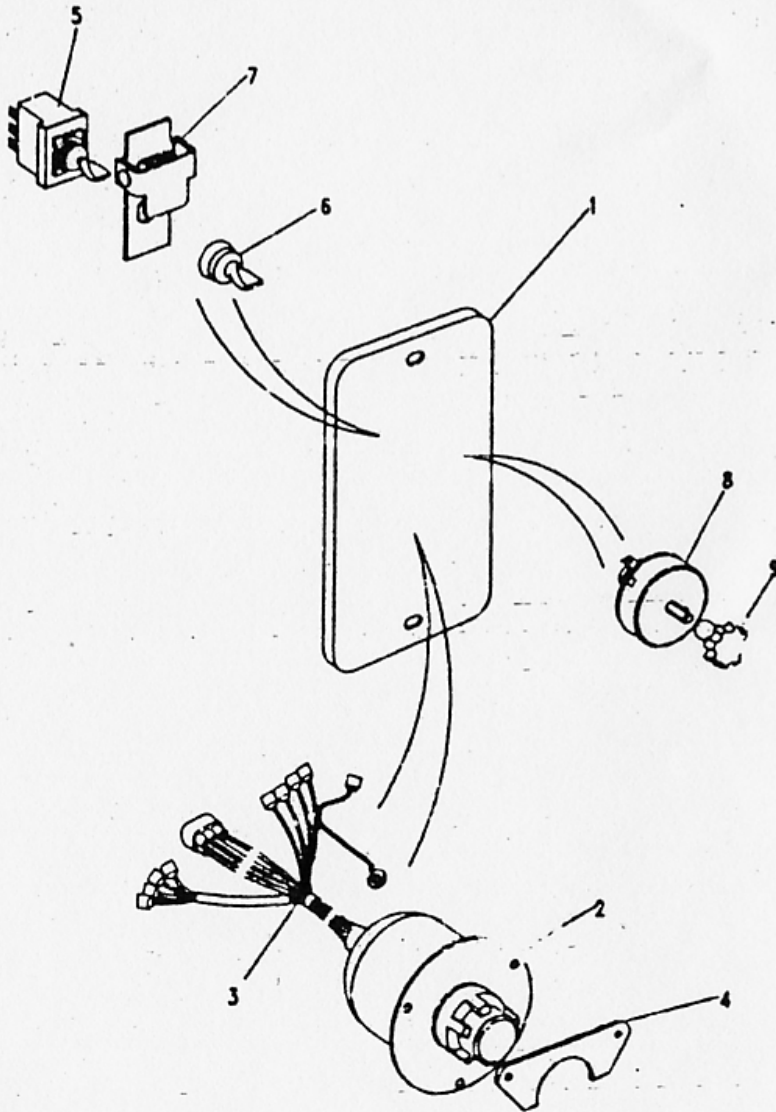
Note(1) Applicable to vehicles with item 4 fitted.
Note(2) Introduction of brake warning light system and rear fog guard lamps.



Model MILITARY VEHICLE
Page YWMXE3A

BODY ELECTRICAL - SWITCH 6 WAY LIGHTING

Ill.	Part No.	Description	Qty	Remarks
1	335771	Panel 6-way switch (blank)	1	
2	PRC2088	Switch 6-way lighting	1	
3	RTC6700	Harness 6-way switch	1	
4	348797	Plate inscription for 6-way switch	1	
5	PRC2156	Switch infra red headlight:	1	
6	PRC2155	Cover infra red switch	1	
7	589196	Inhibitor for infra red switch	1	
8	579008	Switch windscreen wiper/ washer	1	
9	90575153	Knob, wiper/washer switch	1	

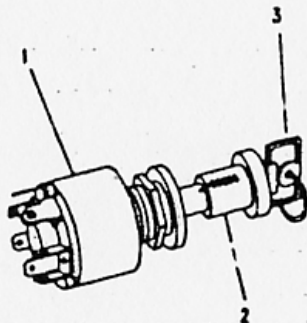


Model MILITARY VEHICLE
Page YWMXE44A

BODY ELECTRICAL - SWITCH STARTER

III. Part No.	Description	Qty	Remarks
1 551508	Switch ignition starter	1	
2 395141	Barrel and 2 keys	1	
3 17H2475L	Key Blank F.S series	1	
CD31726C	Key Cut F.S series	1	
589115	Bracket starter switch	1	Note(1)

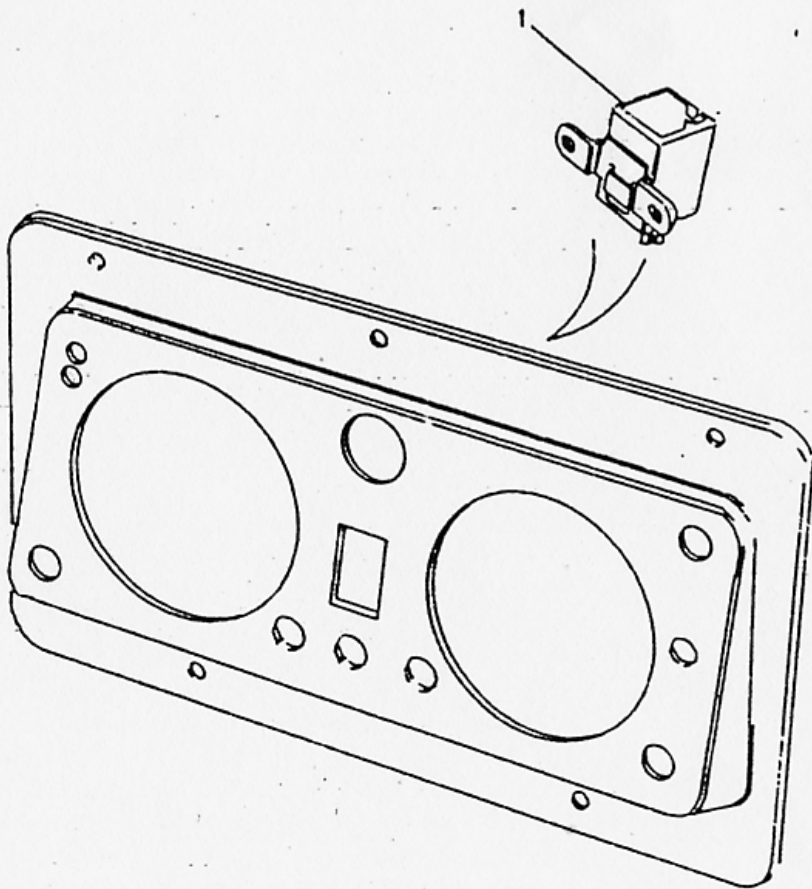
Note(1) Bracket fitted to early vehicles only



Model MILITARY VEHICLE
Page YWMXGA1A

BODY ELECTRICAL - RELAYS

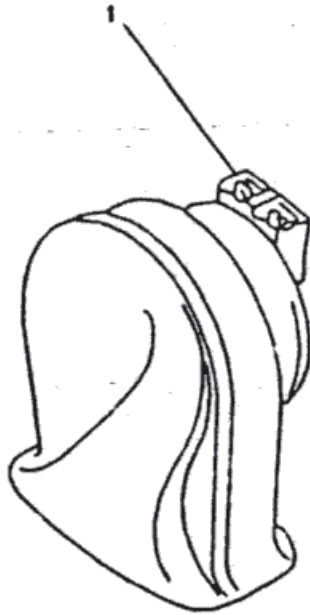
Ill. Part No.	Description	Qty	Remarks
1 PRC2739	Relay 6RA - Brake chock	1	24 Volt
PRC2738	Relay 6RA - Brake chock	1	12 Volt
579038	Relay 6RA - Rear fog guard	1	24 Volt
579037	Relay 6RA - Rear fog guard	1	12 Volt
579038	Relay - Infra red	1	24 Volt
579037	Relay - Infra red	1	12 Volt
90545020	Relay - Auxiliary	1	24 Volt
551407	Relay - Auxiliary	1	12 Volt
90545020	Relay - Horn	1	24 Volt
90545020	Relay - Hazard warning	1	24 Volt



Model MILITARY VEHICLE
Page YWMXGE1A

BODY ELECTRICS - HORN 24VOLT

Ill. Part No.	Description	Qty	Remarks
1 STC576	Horn	1	
NRC1167	Bracket mounting horn	1	NLA



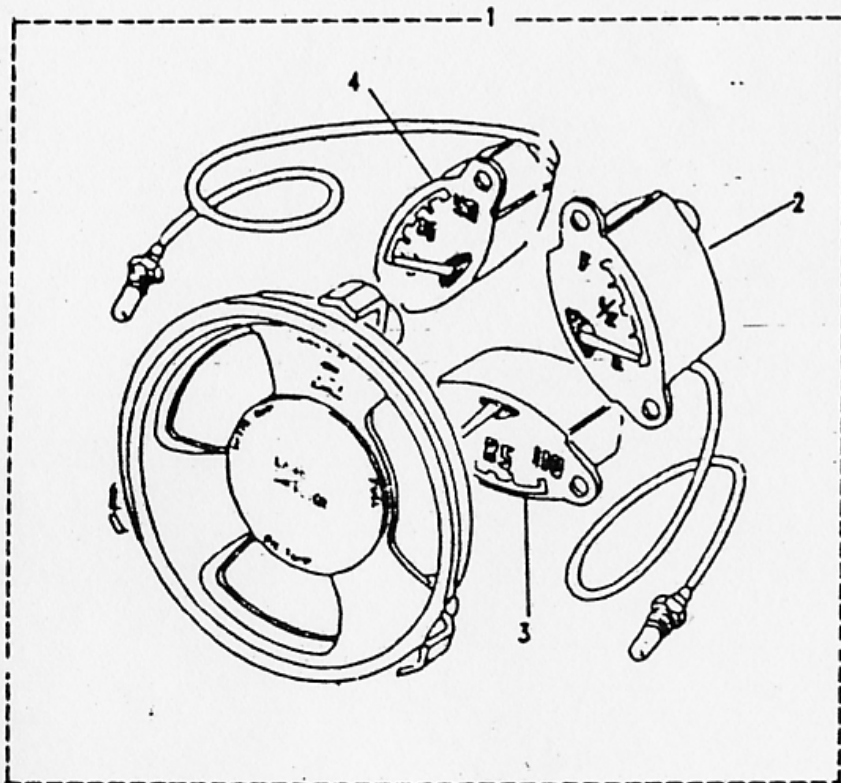
Model MILITARY VEHICLE
Page YWMXA1A

INSTRUMENTS - INSTRUMENT PANEL GROUPED (UP TO 1979)

ML Part No.	Description	Qty	Remarks
(Capillary type up to 1979)			
1 552613	Grouped instrument panel complete 24 volt	1	Note(1)
558323	Grouped instrument panel complete 12 volt	1	NLA
2 552615	Gauge fuel 24 volt	1	Note(1)
555835	Gauge fuel 12 volt	1	
3 90552617	Gauge oil temperature	1	
4 90552618	Gauge water temperature	1	

Note(1)

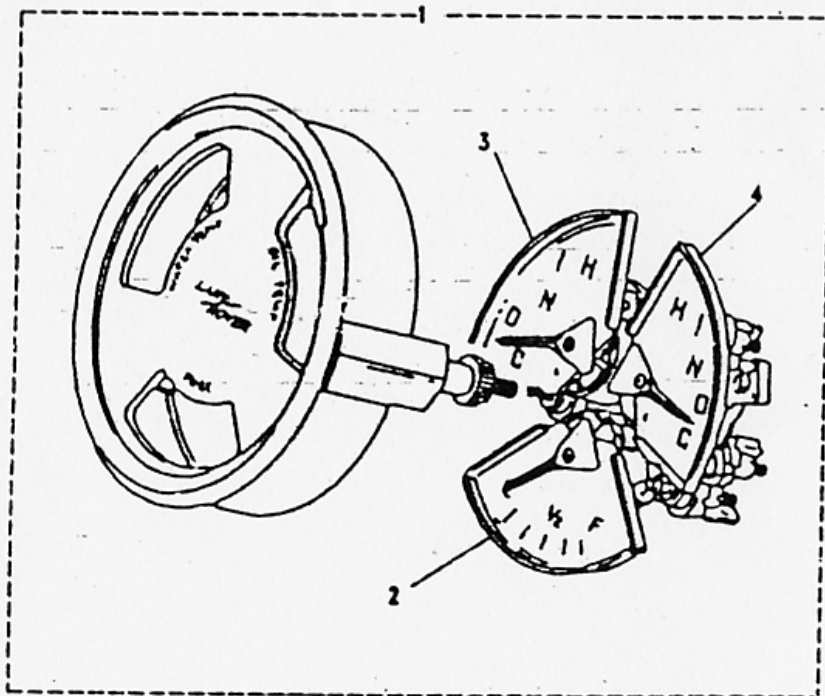
Capillary type 24 volt grouped instrument panel and fuel gauge are no longer available. A conversion kit to electrical type gauges is available part number RTC2519



Model MILITARY VEHICLE
Page YWMXIA2A

INSTRUMENTS - INSTRUMENT PANEL GROUPED (FROM 1979)

M. Part No.	Description	Qty	Remarks
1 PRC1777	Grouped instrument panel complete	1	24VOLT
PRC1778	Grouped instrument panel complete	1	12VOLT
2 PRC1788	Fuel gauge	1	24VOLT
PRC1788	Fuel gauge	1	12VOLT
3 PRC1791	Water temperature gauge	1	24VOLT
PRC1790	Water temperature gauge	1	12VOLT
4 PRC1793	Oil temperature gauge	1	24VOLT
PRC1792	Oil temperature gauge	1	12VOLT





MILITARY VEHICLE

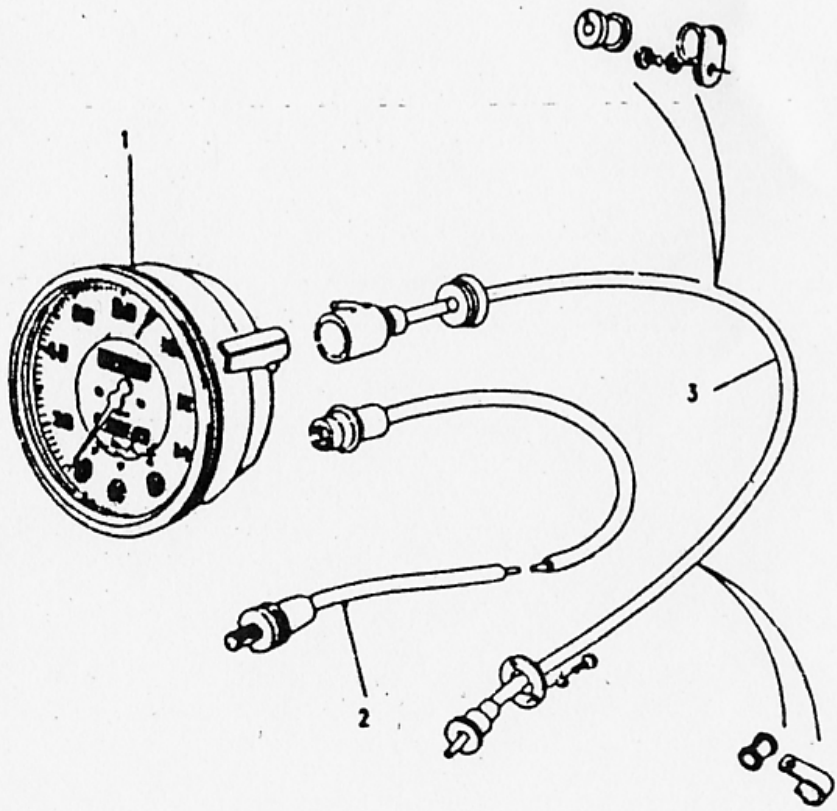
fiche1
09

BODY ELECTRICAL

Model MILITARY VEHICLE
Page YWMXIA3A

INSTRUMENTS - SPEEDOMETER

Ill. Part No.	Description	Qty	Remarks
1 PRC2805	Speedometer KPH	1	
RTC5034	Speedometer MPH	1	
2 C38968L	Trip reset cable	1	
3 579435	Cable speedometer	1	

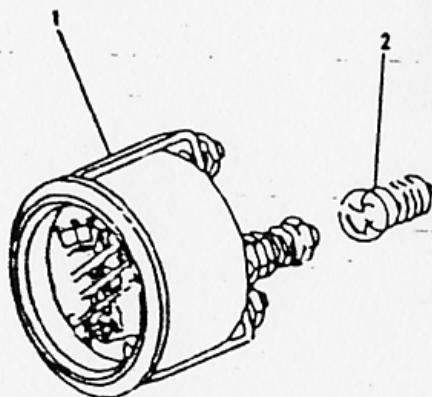


Model MILITARY VEHICLE

Page YWMXA4A

INSTRUMENTS - AMMETERS 24 VOLT (UP TO 1978)

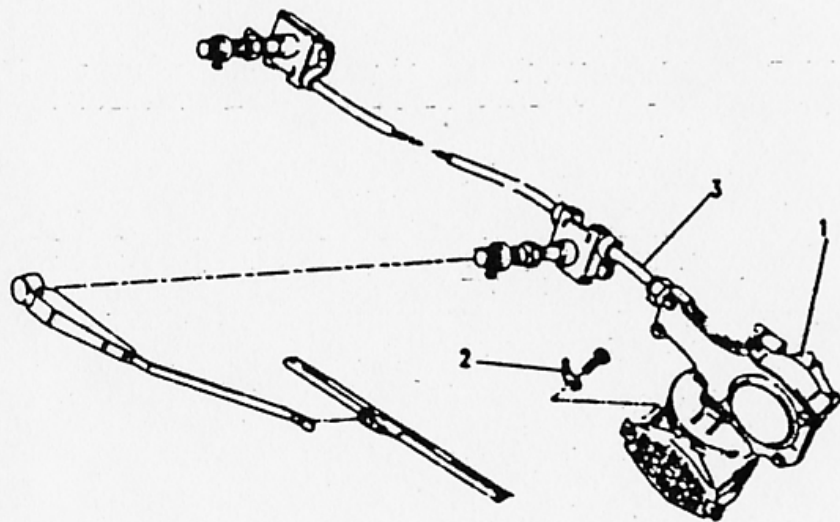
Ill. Part No.	Description	Qty	Remarks
1 PRC5485	Ammeter vehicle/radio	2	
508493	Plate name 'vehicle'	1	NLA
532747	Plate name 'aux'	1	NLA
90575155	Illumination housing ammeter	1	NLA
580604	Cable ammeter illumination c/w bulb	1	NLA
2 500918	Bulb	1	



Model MILITARY VEHICLE
Page YWMXMA1A

BODY ELECTRICS - WINDSCREEN WIPER MOTOR

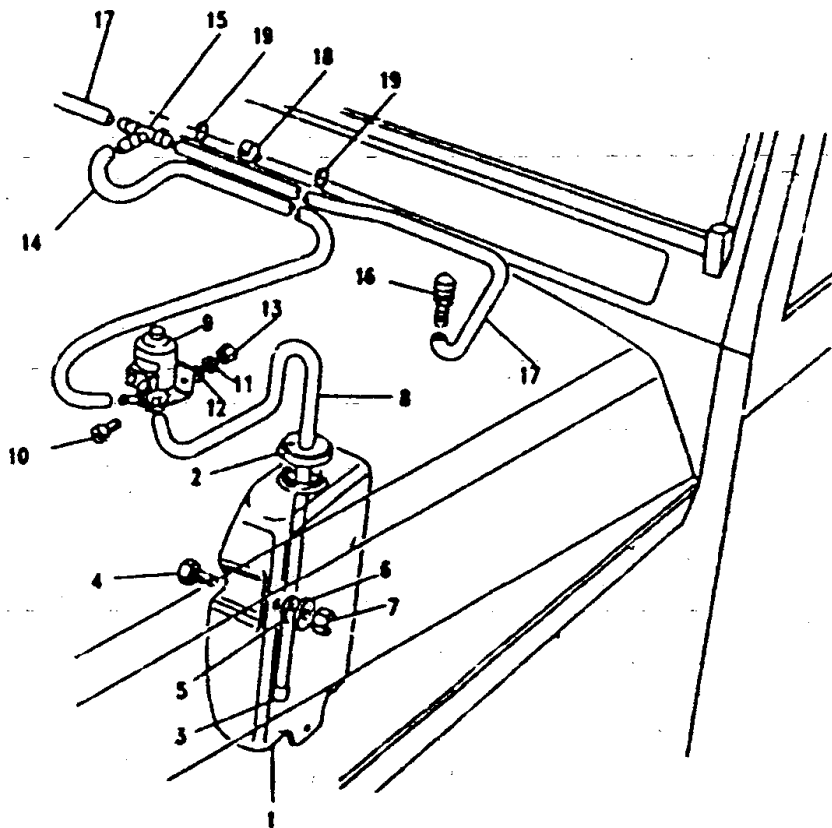
Ill. Part No.	Description	Qty	Remarks
1 AAU8238	Motor wiper less shaft and gear	1	24VOLT
RTC3867	Motor wiper less shaft and gear	1	12VOLT
37H2736L	Shaft & gear wiper motor	1	
AAU8239	Suppression box	2	24VOLT
AB808022L	Screw suppressor to wiper motor	2	
78755	Screw motor to dash	2	
2 531523	Lucar blade for inhibitor	1	
3 580885	Casing outer wheelbox to motor	1	NLA



Model MILITARY VEHICLE

Page YWMXMC1A

ELECTRICAL - WINDSCREEN WASHERS



ML Part No.	Description	Qty	Remarks
1	PRC1080	1	Water container
2	PRC1081	1	Cap for bottle
3	90808330	1	Non-return valve
4	257017	3	Screw 10unf x 1/2"
5	WM702001L	3	Washer spring
6	WC702101L	3	Washer plain
7	HN2005L	3	Nut
8	17H8580	a/r	Tubing container to pump 10"
9	PRC3370	1	Windscreen washer pump
	PRC3369	1	Windscreen washer pump
	PRC1336	1	Cable washer pump to wiper plug
10	SP910201L	2	Screw 10unf x 5/8"
11	WM702001L	2	Washer spring
12	WA702101L	2	Washer plain
13	HN2005L	2	Nut
14	17H8580	a/r	Tubing pump to T piece 60"
15	DZB3578	1	T piece
16	DRC1021	2	Jet Bonnet mounted
17	17H3590	a/r	Tube jet to T piece 25"
18	345862	4	Edge Clip
19	532387	2	O ring